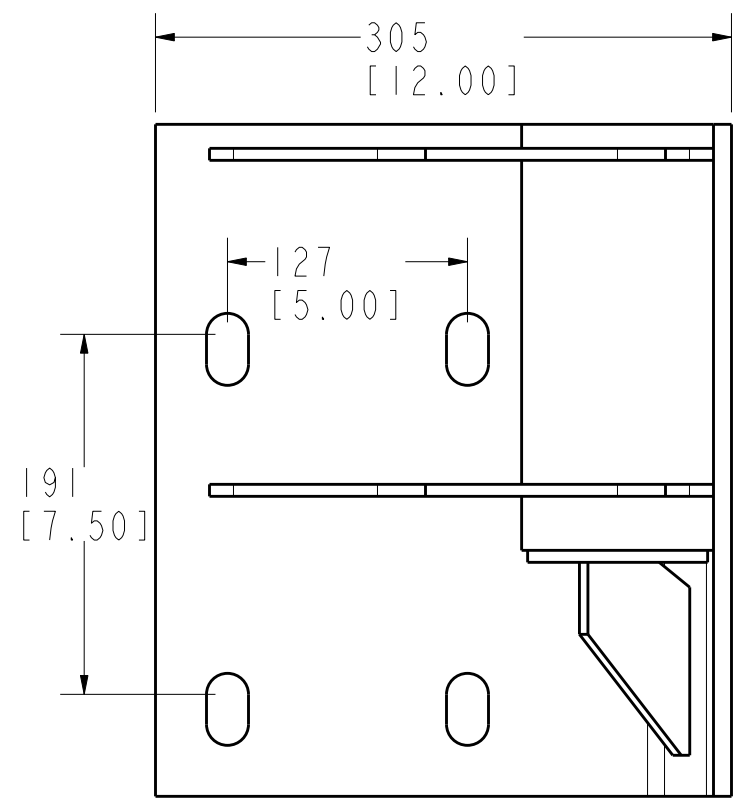
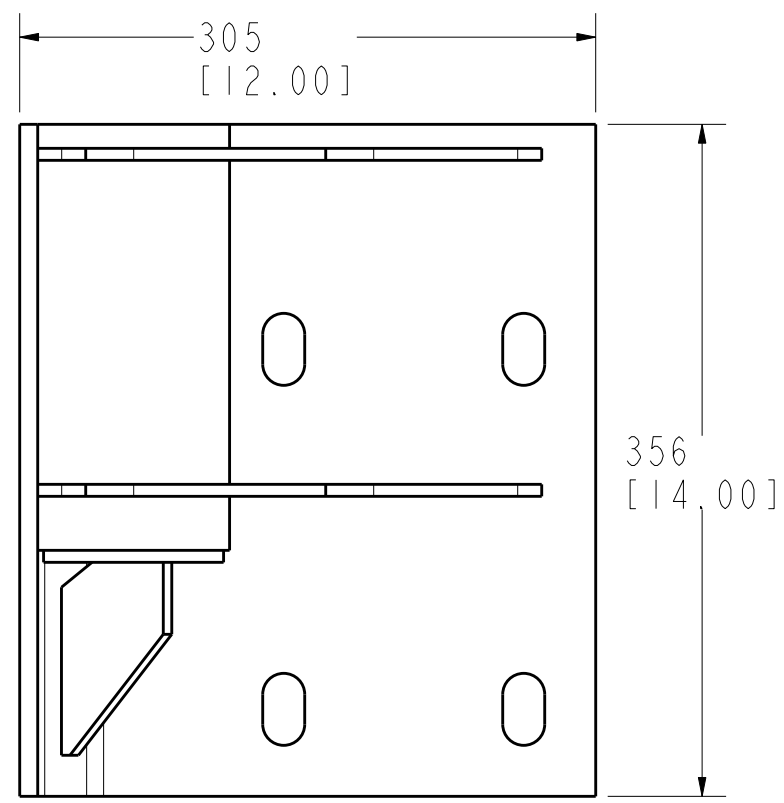
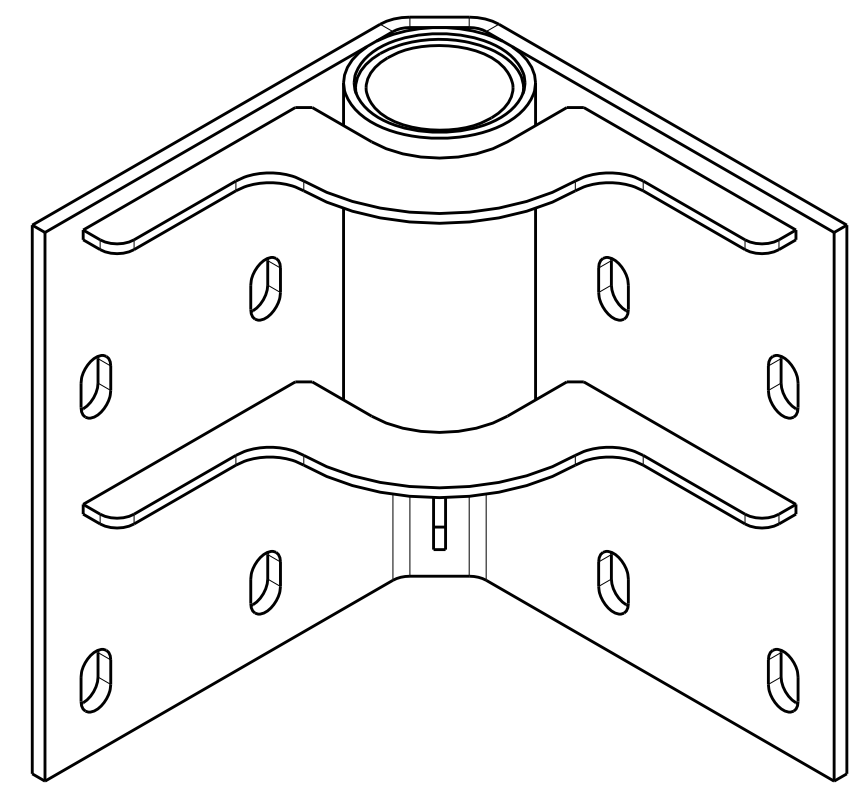
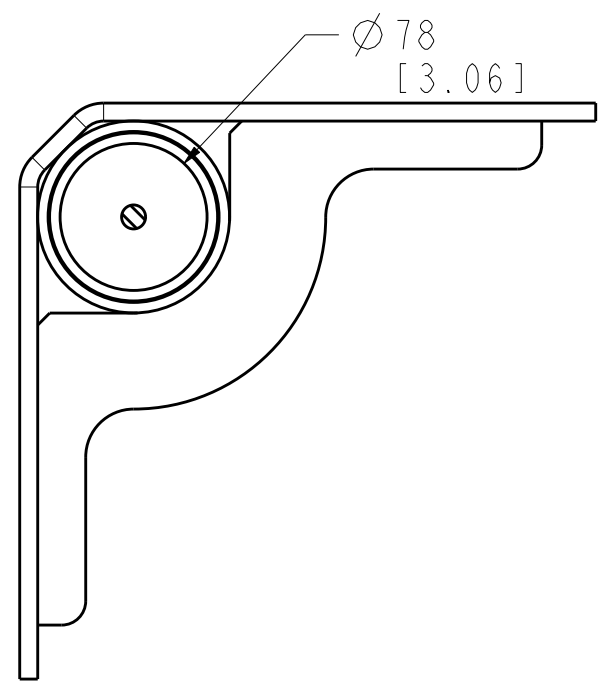


8 7 6 5 4 3 2 1

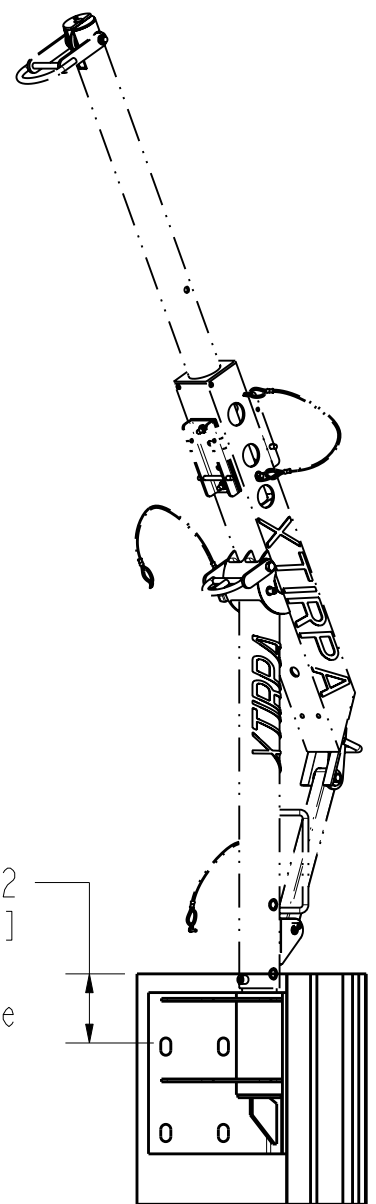
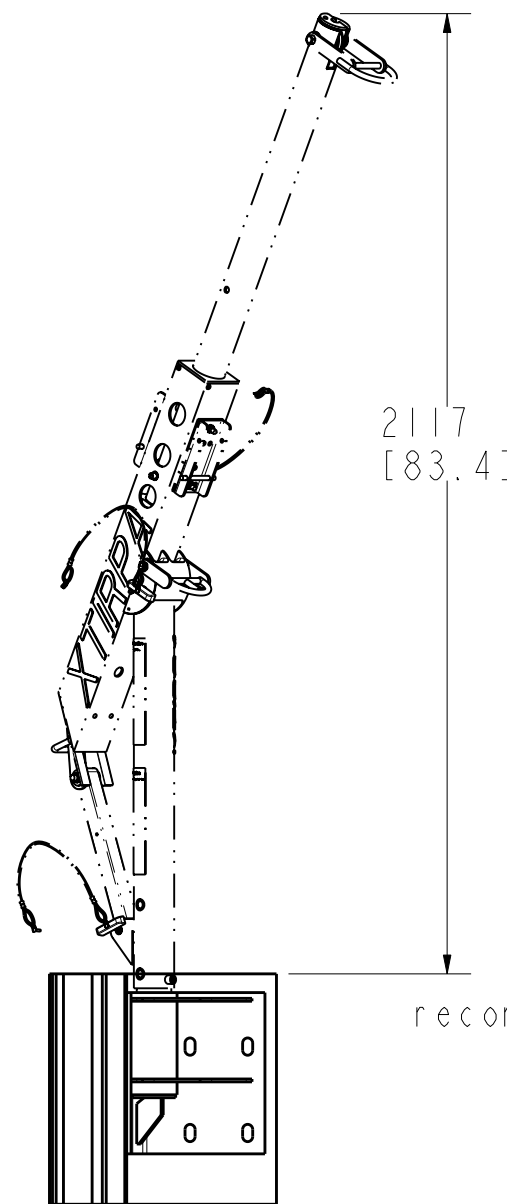
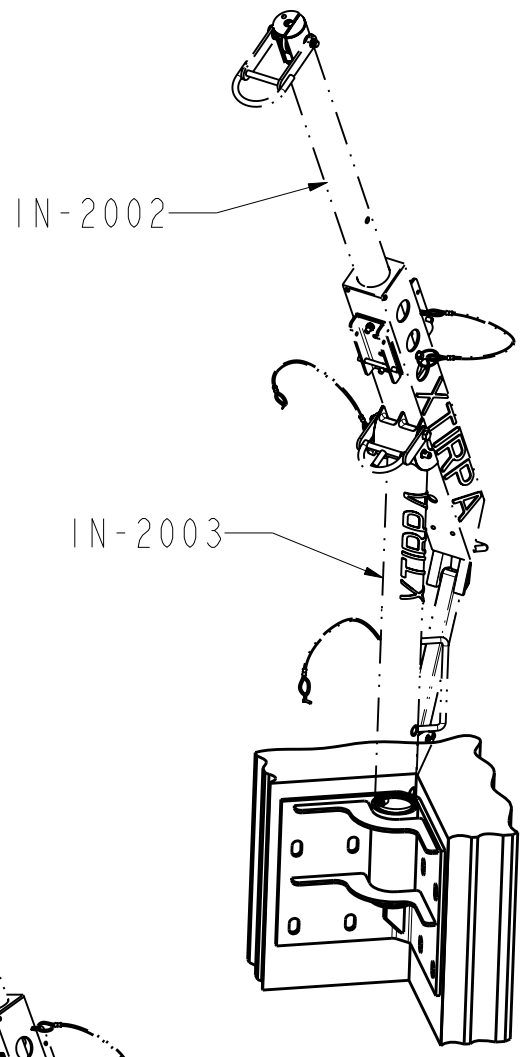
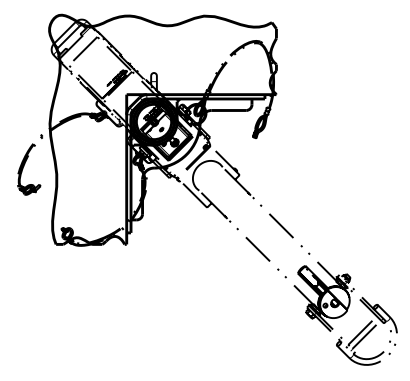
H
G
F
E
D
C
B
A

H
G
F
E
D
C
B
A



PAT. NO.:		©2008/02/19 ©	
PRODUITS DE SERVICE PUBLICS INNOVA INC. INNOVA PUBLIC UTILITY PRODUCTS INC.			
<small>© 9105-0732 QUEBEC INC. and under exclusive license to INNOVA PUBLIC UTILITY PRODUCTS INC., (hereafter « INNOVA »). All rights reserved. Protected under the Copyright Act of Canada and international treaties and agreements regarding copyrights. Violators are subject to prosecution and other legal recourses for infringement. Any reproduction, adaptation or other use or disclosure whatsoever, in totality or in part, and in any form or by any means whatsoever, strictly forbidden and requires the prior written approval of INNOVA. All data is the exclusive property of 9105-0732 QUEBEC INC. and under exclusive license to INNOVA and cannot be used nor disclosed in any way either without the prior written approval of INNOVA.</small>			
WEIGHT:	TITLE:		
38 Lbs	Overall drawing of 90deg interior corner adapter (Zinc plated)		
17 Kg			
COLOR:	MATERIAL:	SHEET(S):	PROJECT:
Zinc plated	Steel	1 / 4	IN-2134

8 7 6 5 4 3 2 1



Recommandations:

Concrete must be made of 0,2% brut area reinforced 2000psi (13.8 MPa) or better. Minimum thickness of 8'' (203mm).

Moment capacity:

120,000 lbf-in (13,558 N-m)

Vertical load: 5,000 lbf (22,241 N).

N.B. It is the responsability of the field Engineer to assure installation compliance.

Hardware:

Anchor bolts: Chemical setting 3/4'' x 6-5/8'' effective holding length and made of 304/316 stainless steel.

Max pulling strength: 17,000 lbf (75,620N N)
To be installed with 3/4'' stainless steel washers.

PAT. NO.:		©2008/02/19 ©	
PRODUITS DE SERVICE PUBLICS INNOVA INC. INNOVA PUBLIC UTILITY PRODUCTS INC.			
© 9105-0732 QUEBEC INC. and under exclusive license to INNOVA PUBLIC UTILITY PRODUCTS INC., (hereafter « INNOVA »). All rights reserved. Protected under the Copyright Act of Canada and international treaties and agreements regarding copyrights. Violators are subject to prosecution and other legal recourses for infringement. Any reproduction, adaptation or other use or disclosure whatsoever, in totality or in part, and in any form or by any means whatsoever, strictly forbidden and requires the prior written approval of INNOVA. All data is the exclusive property of 9105-0732 QUEBEC INC. and under exclusive license to INNOVA and cannot be used nor disclosed in any way either without the prior written approval of INNOVA.			
WEIGHT:	TITLE:		
38 Lbs	Overall drawing of 90deg interior corner adapter (Zinc plated)		
17 Kg			
COLOR:	MATERIAL:	SHEET(S):	PROJECT:
Zinc plated	Steel	2 / 4	IN-2134

SPECIFICATIONS

This product is man rated with a maximum working capacity of 360lbs (164kg). It is only to be used in conjunction with personal fall arrest equipment that limits the maximum arrerst force (MAF).

Maximum Working Moment : 9,762 N-m (86,400 lbf-in)
 Maximum Moment : 13,558 N-m (120,000 lbf-in)

STANDARDS

Meets the following standards:
 OSHA Personal fall arrest system - 1910.66 App C
 ANSI Safety requirements for personal fall arrest system, subsystems and components Z359.1
 CAN/CSA Fall arresters, vertical lifelines, and rails Z259.2.1-98

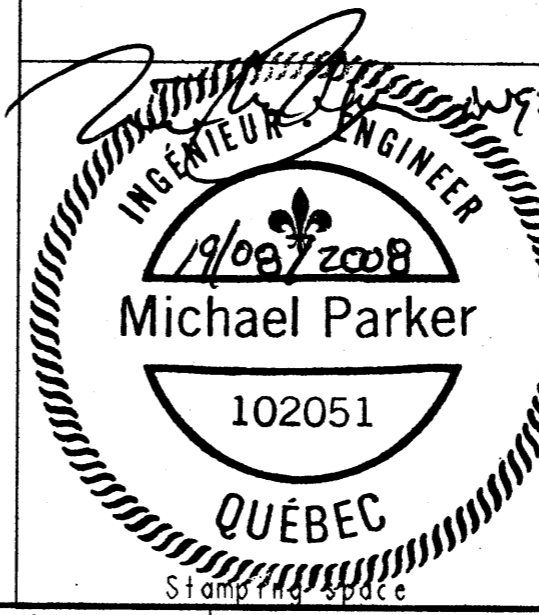
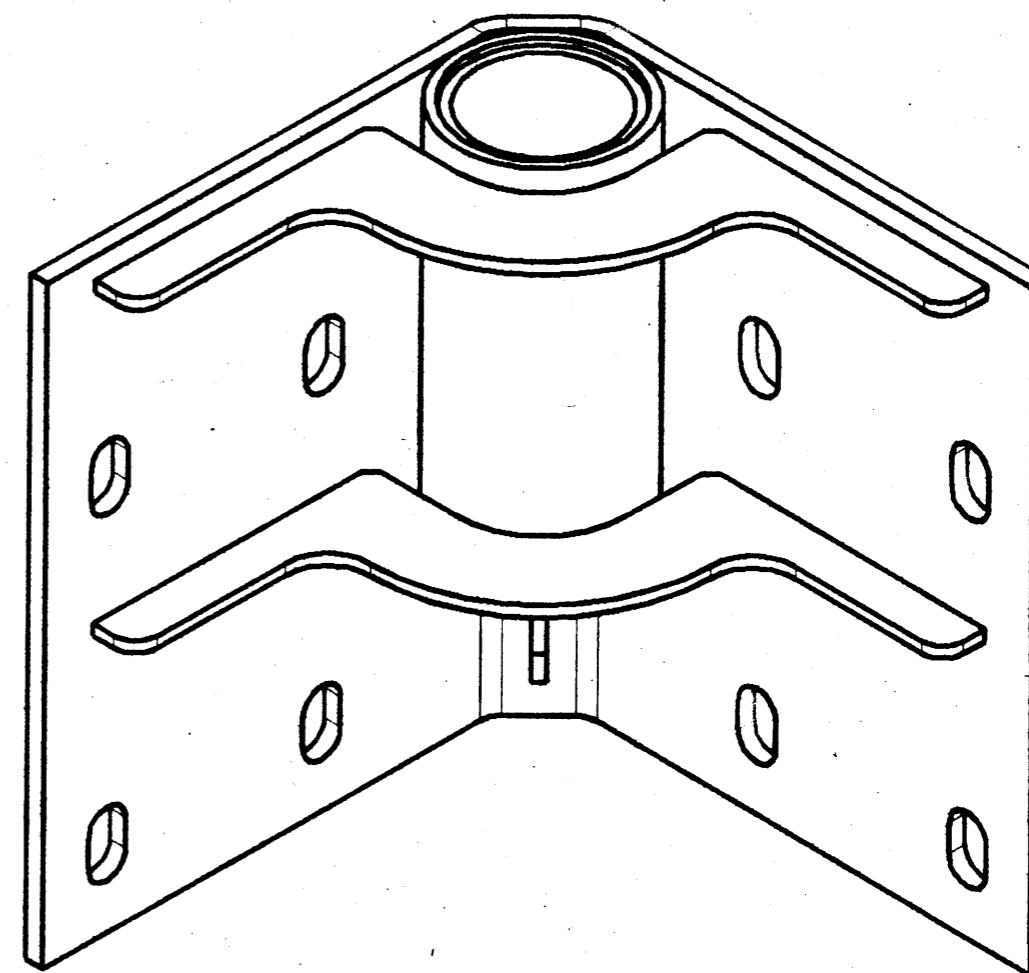
MATERIAL AND CONSTRUCTION

Plate and gussets : Steel 44W (300W) CSA G40.21
 Sleeve : Steel 1026 DOM
 Finish : Zinc plated, ASTM B633-85, Type III, SC2
 Sleeve bearing : PVC Pipe.
 Welding Certification : CSA W59 & W47.1, AWS DI.6

RESTRICTIONS

IMPORTANT :
 Adaptors are designed to function only with Innova public utility products INC. equipment. Anchorage hardware must be installed by qualified and experienced personnel. The installer must follow the anchorage hardware manufacturers recommendations at all time. Periodic inspections of hardware must be done. All equipment and hardware must be inspected before re-using by qualified personnel when a fall has accured.

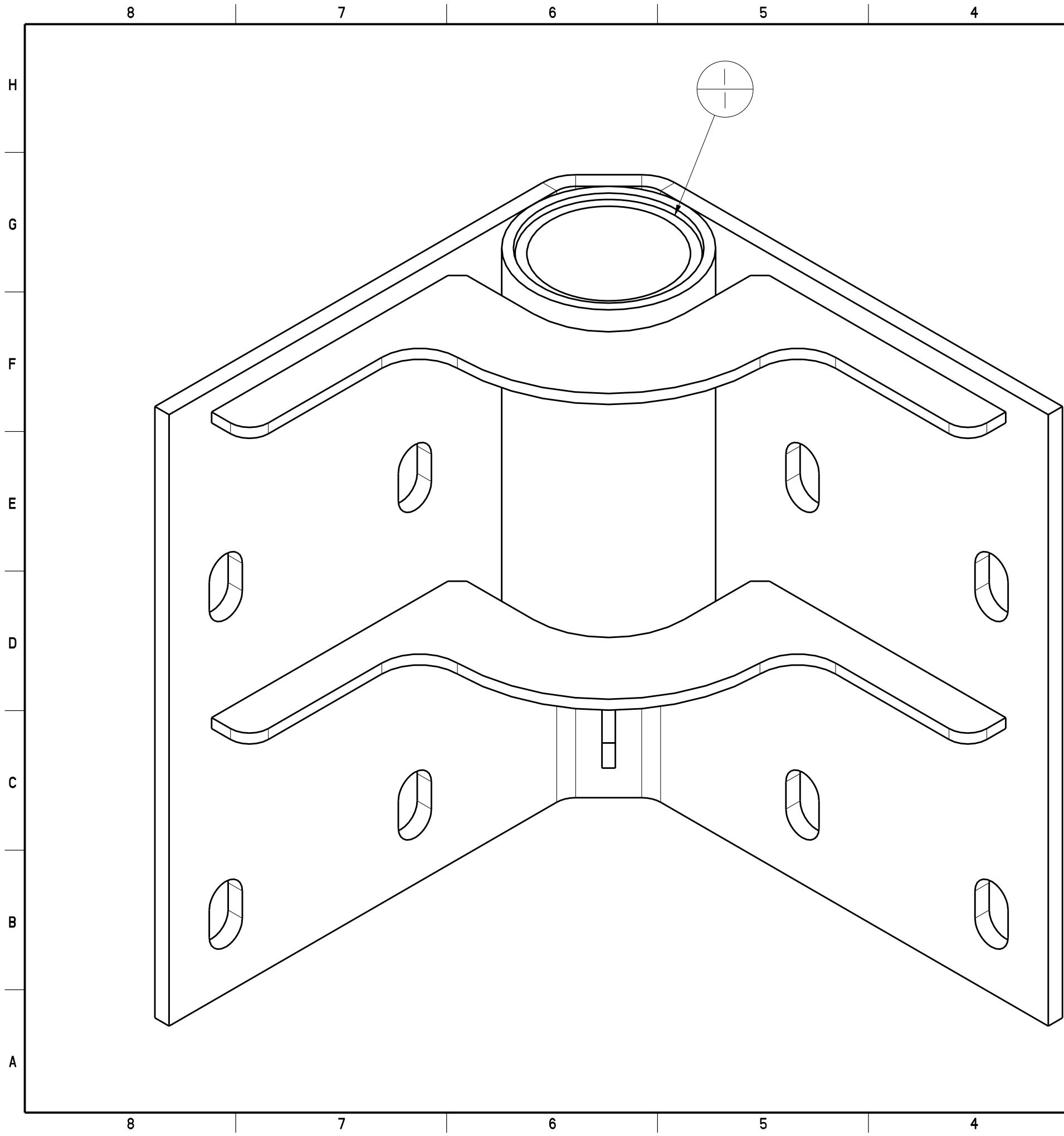
Product number: IN-2134



PAT. NO. :		e2008/02/19 e	
PRODUITS DE SERVICE PUBLICS INNOVA INC. INNOVA PUBLIC UTILITY PRODUCTS INC.			
<small>© 9105-0732 QUEBEC INC. and under exclusive license to INNOVA PUBLIC UTILITY PRODUCTS INC., (hereinafter "INNOVA"). All rights reserved. Protected under the Copyright Act of Canada and international treaties and agreements regarding copyrights. Violators are subject to prosecution and other legal recourse for infringement. Any reproduction, adaptation or other use or disclosure whatsoever, in totality or in part, and in any form or by any means whatsoever, strictly forbidden and requires the prior written approval of INNOVA. All data is the exclusive property of 9105-0732 QUEBEC INC. and under exclusive license to INNOVA and cannot be used or disclosed in any way other without the prior written approval of INNOVA.</small>			
WEIGHT:	TITLE:		
38 Lbs	Overall drawing of 90deg		
17 Kg	interior corner adapter (Zinc plated)		
COLOR:	MATERIAL:	SHEET(S):	PROJECT:
Zinc plated	Steel	3 / 4	IN-2134

Stamping space

1	1	P2006-004		Pvc sleeve adaptators	PVC Ced. 40
IDX	QTE	COMPONENT	REV	DESCRIPTION	MATERIAL



PAT. NO.:		©2008/02/19 ©	
PRODUITS DE SERVICE PUBLICS INNOVA INC. INNOVA PUBLIC UTILITY PRODUCTS INC.			
<small>© 9105-0732 QUEBEC INC. and under exclusive license to INNOVA PUBLIC UTILITY PRODUCTS INC., (hereafter « INNOVA »). All rights reserved. Protected under the Copyright Act of Canada and international treaties and agreements regarding copyrights. Violators are subject to prosecution and other legal recourses for infringement. Any reproduction, adaptation or other use or disclosure whatsoever, in totality or in part, and in any form or by any means whatsoever, strictly forbidden and requires the prior written approval of INNOVA. All data is the exclusive property of 9105-0732 QUEBEC INC. and under exclusive license to INNOVA and cannot be used nor disclosed in any way either without the prior written approval of INNOVA.</small>			
WEIGHT:	TITLE:		
38 Lbs	Overall drawing of 90deg interior corner adapter (Zinc plated)		
17 Kg			
COLOR:	MATERIAL:	SHEET(S):	PROJECT:
Zinc plated	Steel	4 / 4	IN-2134