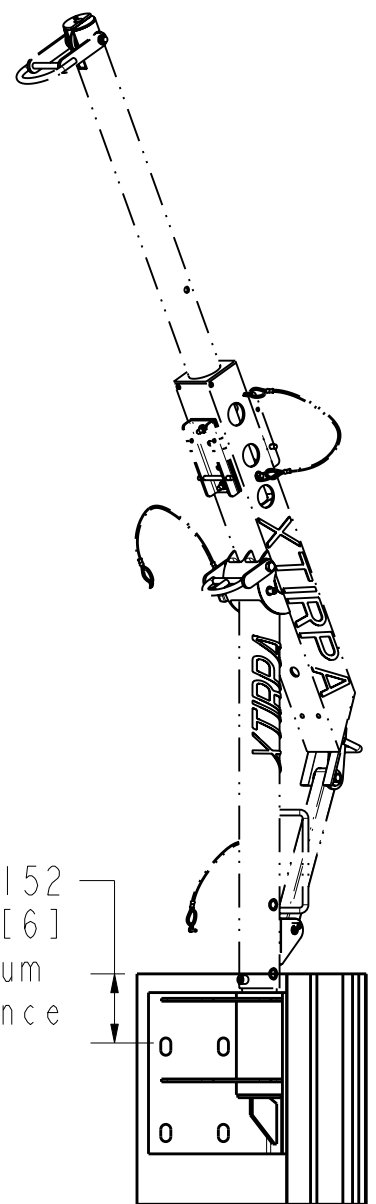
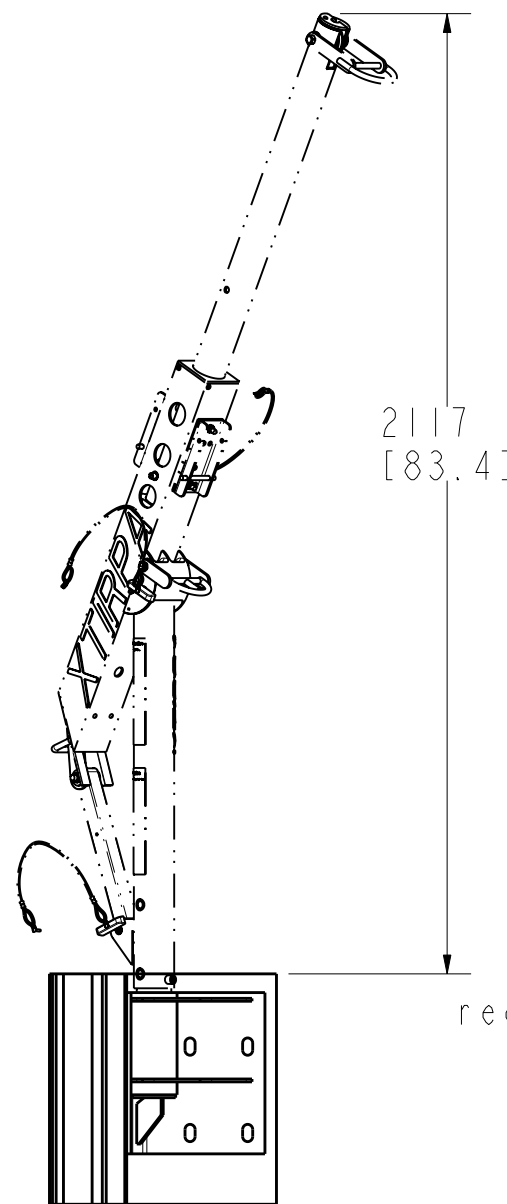
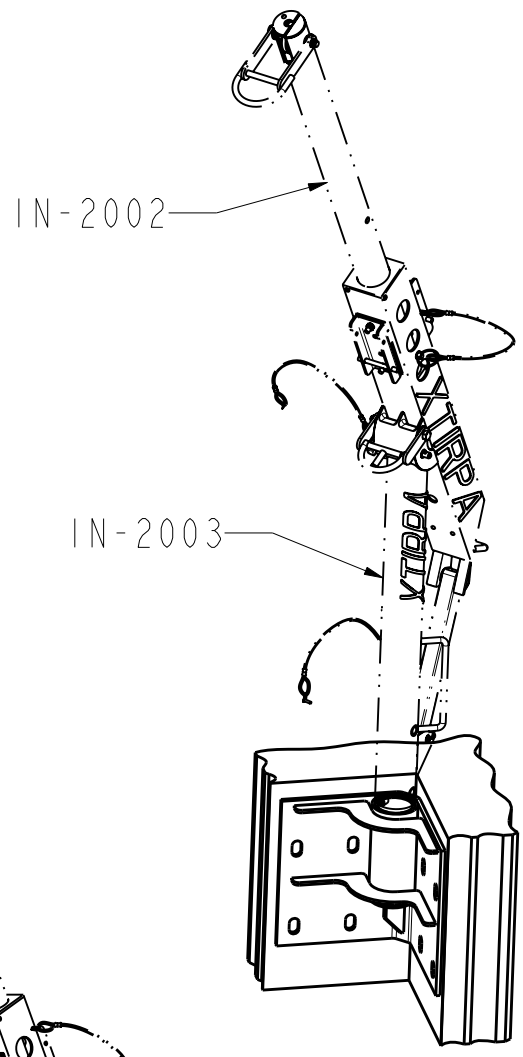
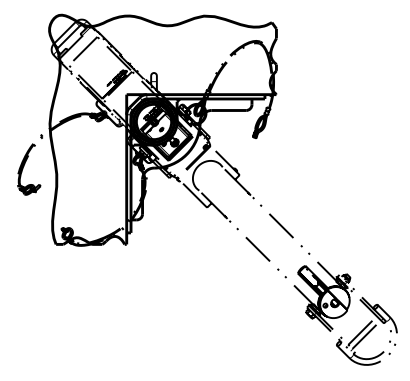


PAT. NO.:		©2008/02/19 ©	
PRODUITS DE SERVICE PUBLICS INNOVA INC. INNOVA PUBLIC UTILITY PRODUCTS INC.			
<small>© 9105-0732 QUEBEC INC. and under exclusive license to INNOVA PUBLIC UTILITY PRODUCTS INC., (hereafter « INNOVA »). All rights reserved. Protected under the Copyright Act of Canada and international treaties and agreements regarding copyrights. Violators are subject to prosecution and other legal recourses for infringement. Any reproduction, adaptation or other use or disclosure whatsoever, in totality or in part, and in any form or by any means whatsoever, strictly forbidden and requires the prior written approval of INNOVA. All data is the exclusive property of 9105-0732 QUEBEC INC. and under exclusive license to INNOVA and cannot be used nor disclosed in any way either without the prior written approval of INNOVA.</small>			
WEIGHT:	TITLE:		
38 Lbs	Overall drawing of		
17 Kg	90deg interior corner adapter (Stainless)		
COLOR:	MATERIAL:	SHEET(S):	PROJECT:
Stainless	Stainless	1 / 4	IN-2133



Recommandations:

Concrete must be made of 0,2% brut area reinforced 2000psi (13.8 MPa) or better. Minimum thickness of 8'' (203mm).

Moment capacity:

120,000 lbf-in (13,558 N-m)

Vertical load: 5,000 lbf (22,241 N).

N.B. It is the responsability of the field Engineer to assure installation compliance.

Hardware:

Anchor bolts: Chemical setting 3/4'' x 6-5/8'' effective holding length and made of 304/316 stainless steel.

Max pulling strength: 17,000 lbf (75,620N N)
To be installed with 3/4'' stainless steel washers.

PAT. NO.:		©2008/02/19 ©	
PRODUITS DE SERVICE PUBLICS INNOVA INC. INNOVA PUBLIC UTILITY PRODUCTS INC.			
© 9105-0732 QUEBEC INC. and under exclusive license to INNOVA PUBLIC UTILITY PRODUCTS INC., (hereafter « INNOVA »). All rights reserved. Protected under the Copyright Act of Canada and international treaties and agreements regarding copyrights. Violators are subject to prosecution and other legal recourses for infringement. Any reproduction, adaptation or other use or disclosure whatsoever, in totality or in part, and in any form or by any means whatsoever, strictly forbidden and requires the prior written approval of INNOVA. All data is the exclusive property of 9105-0732 QUEBEC INC. and under exclusive license to INNOVA and cannot be used nor disclosed in any way either without the prior written approval of INNOVA.			
WEIGHT:	TITLE:		
38 Lbs	Overall drawing of 90deg interior corner adapter (Stainless)		
17 Kg			
COLOR:	MATERIAL:	SHEET(S):	PROJECT:
Stainless	Stainless	2 / 4	IN-2133

SPECIFICATIONS

H This product is man rated with a maximum working capacity of 360lbs (164kg). It is only to be used in conjunction with personal fall arrest equipment that limits the maximum arrest force (MAF).

G Maximum Working Moment : 9,762 N-m (86,400 lbf-in)
Maximum Moment : 13,558 N-m (120,000 lbf-in)

STANDARDS

F Meets the following standards:
OSHA Personal fall arrest system - 1910.66 App C
ANSI Safety requirements for personal fall arrest system, subsystems and components Z359.1
E CAN/CSA Fall arresters, vertical lifelines, and rails Z259.2.1-98

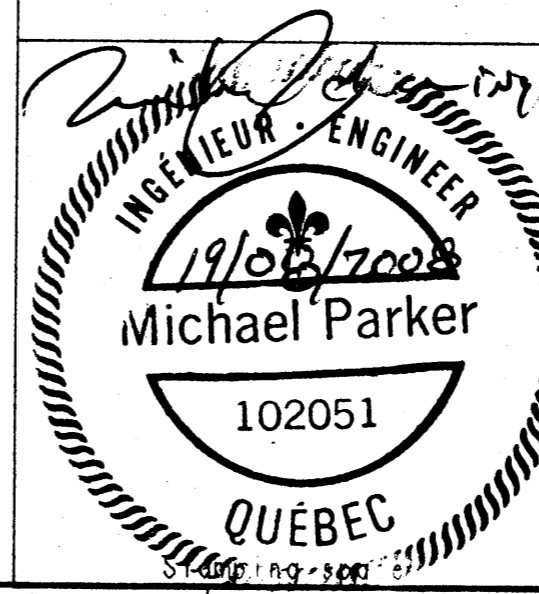
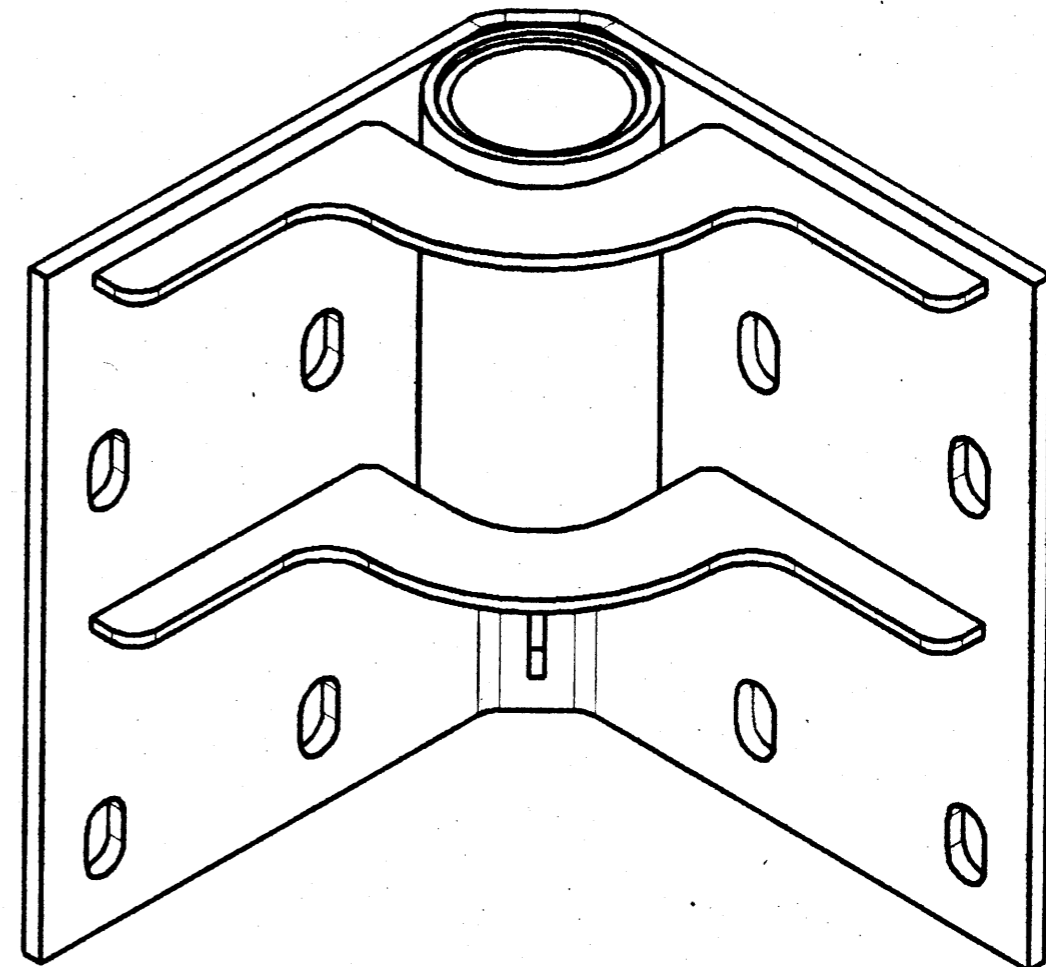
MATERIAL AND CONSTRUCTION

D Plate, gussets and sleeve : 304 Stainless Steel
Sleeve bearing : PVC Pipe.
Welding Certification : CSA W59 & W47.1, AWS D1.6

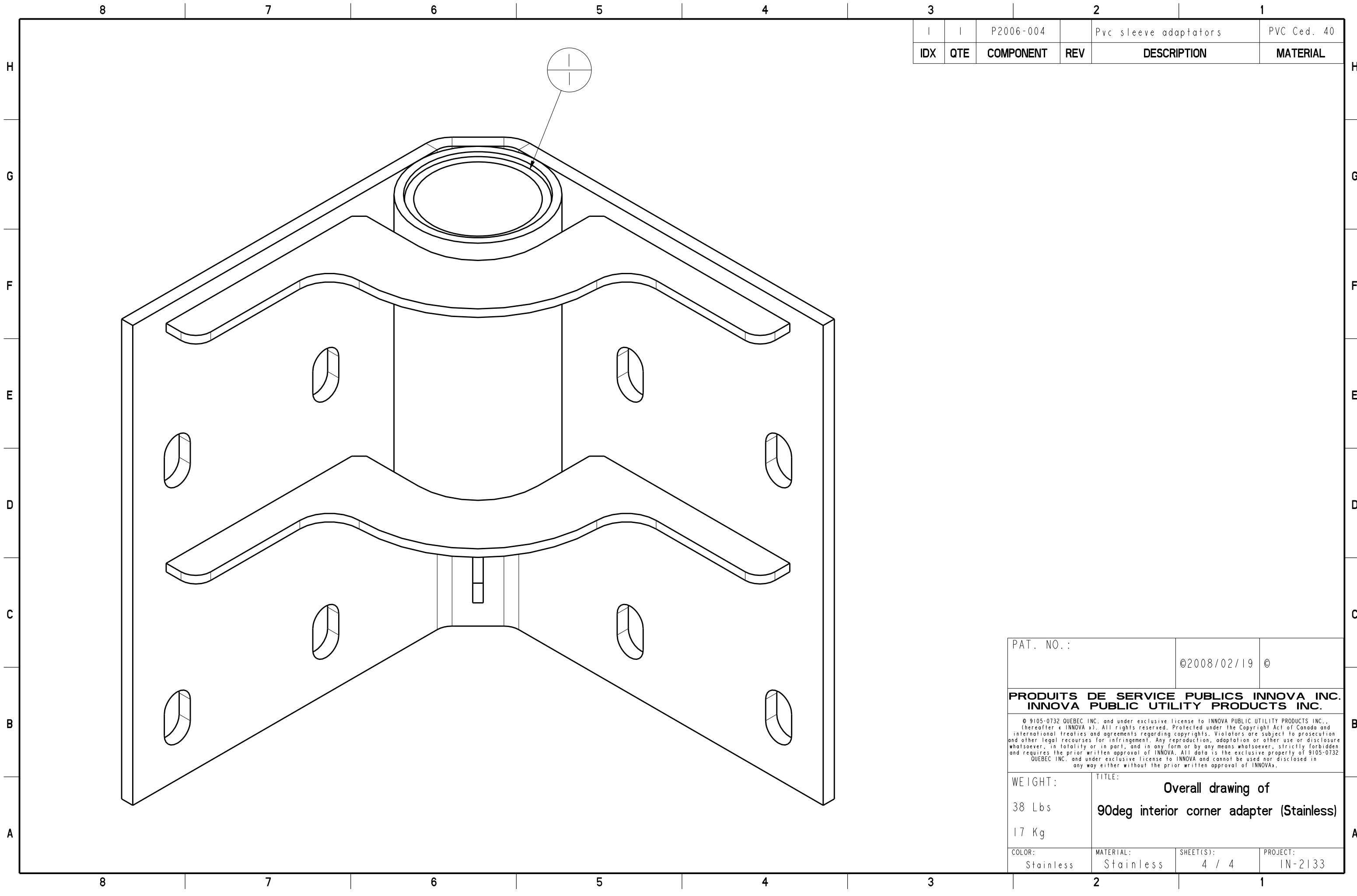
RESTRICTIONS

A **IMPORTANT :**
Adaptors are designed to function only with Innova public utility products INC. equipment. Anchorage hardware must be installed by qualified and experienced personnel. The installer must follow the anchorage hardware manufacturers recommendations at all time. Periodic inspections of hardware must be done. All equipment and hardware must be inspected before re-using by qualified personnel when a fall has accured.

Product number: IN-2133



PAT. NO. :		02008/02/19	
PRODUITS DE SERVICE PUBLICS INNOVA INC. INNOVA PUBLIC UTILITY PRODUCTS INC.			
<small>© 9105-0732 QUÉBEC INC. and under exclusive license to INNOVA PUBLIC UTILITY PRODUCTS INC. (hereafter "INNOVA"). All rights reserved. Protected under the Copyright Act of Canada and international treaties and agreements regarding copyrights. Violators are subject to prosecution and other legal recourses for infringement. Any reproduction, adaptation or other use or disclosure whatsoever, in totality or in part, and in any form or by any means whatsoever, strictly forbidden and requires the prior written approval of INNOVA. All data is the exclusive property of 9105-0732 QUÉBEC INC. and under exclusive license to INNOVA and cannot be used or disclosed in any way either without the prior written approval of INNOVA.</small>			
WEIGHT:	TITLE:		
38 Lbs	Overall drawing of		
17 Kg	90deg interior corner adapter (Stainless)		
COLOR:	MATERIAL:	SHEET(S):	PROJECT:
Stainless	Stainless	3 / 4	IN-2133



3	2	1			
1	1	P2006-004			
1	1	Pvc sleeve adaptators			
1	1	PVC Ced. 40			
IDX	QTE	COMPONENT	REV	DESCRIPTION	MATERIAL

PAT. NO.:	©2008/02/19 ©
-----------	---------------

PRODUITS DE SERVICE PUBLICS INNOVA INC.
INNOVA PUBLIC UTILITY PRODUCTS INC.

© 9105-0732 QUEBEC INC. and under exclusive license to INNOVA PUBLIC UTILITY PRODUCTS INC., (hereafter « INNOVA »). All rights reserved. Protected under the Copyright Act of Canada and international treaties and agreements regarding copyrights. Violators are subject to prosecution and other legal recourses for infringement. Any reproduction, adaptation or other use or disclosure whatsoever, in totality or in part, and in any form or by any means whatsoever, strictly forbidden and requires the prior written approval of INNOVA. All data is the exclusive property of 9105-0732 QUEBEC INC. and under exclusive license to INNOVA and cannot be used nor disclosed in any way either without the prior written approval of INNOVA.

WEIGHT:	TITLE:
38 Lbs	Overall drawing of
17 Kg	90deg interior corner adapter (Stainless)

COLOR:	MATERIAL:	SHEET(S):	PROJECT:
Stainless	Stainless	4 / 4	IN-2133