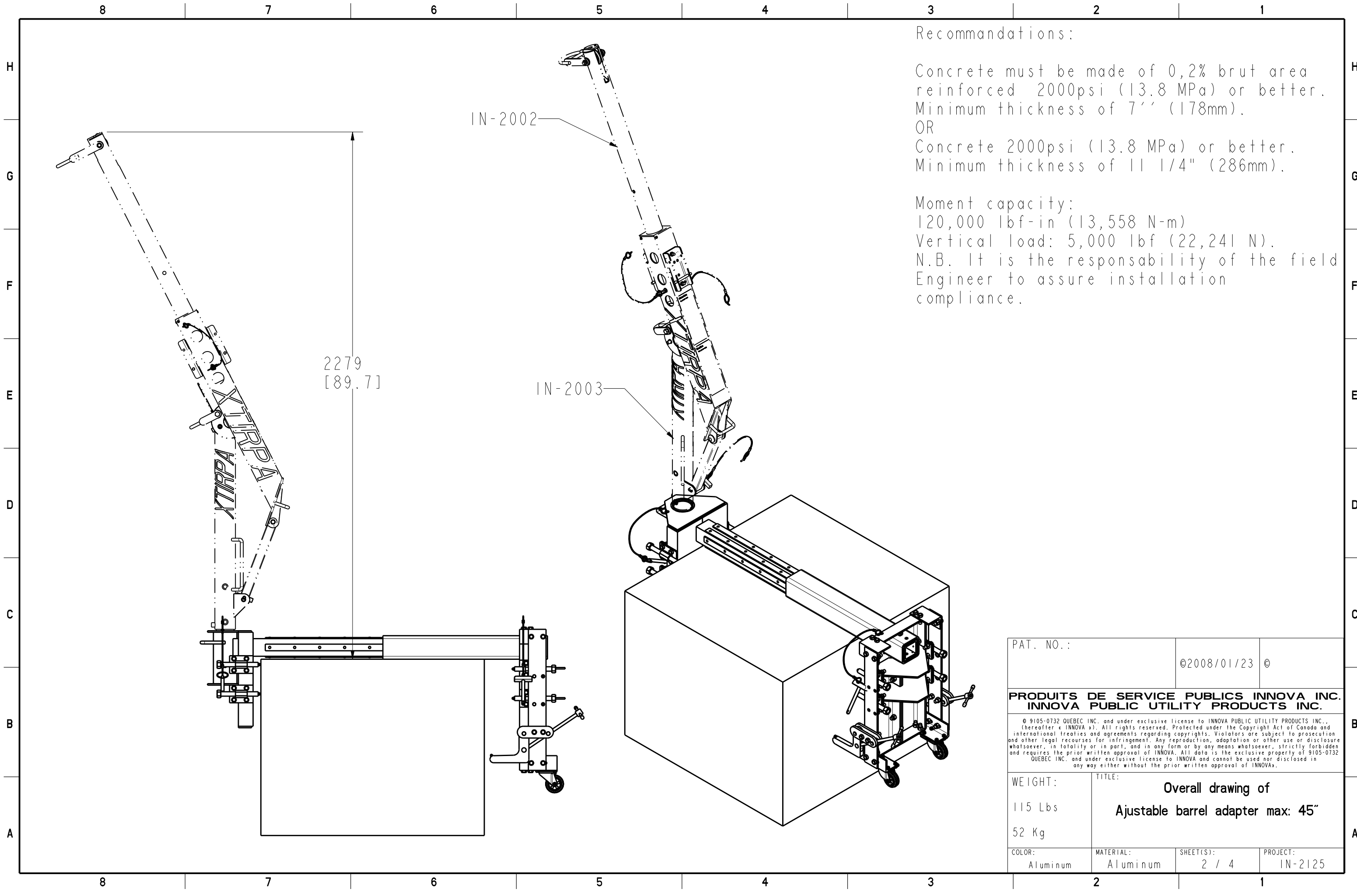


PAT. NO.:		©2008/01/23 ©	
PRODUITS DE SERVICE PUBLICS INNOVA INC. INNOVA PUBLIC UTILITY PRODUCTS INC.			
<small>© 9105-0732 QUEBEC INC. and under exclusive license to INNOVA PUBLIC UTILITY PRODUCTS INC., (hereafter « INNOVA »). All rights reserved. Protected under the Copyright Act of Canada and international treaties and agreements regarding copyrights. Violators are subject to prosecution and other legal recourses for infringement. Any reproduction, adaptation or other use or disclosure whatsoever, in totality or in part, and in any form or by any means whatsoever, strictly forbidden and requires the prior written approval of INNOVA. All data is the exclusive property of 9105-0732 QUEBEC INC. and under exclusive license to INNOVA and cannot be used nor disclosed in any way either without the prior written approval of INNOVA.</small>			
WEIGHT:	TITLE:		
115 Lbs	Overall drawing of		
52 Kg	Adjustable barrel adapter max: 45"		
COLOR:	MATERIAL:	SHEET(S):	PROJECT:
Aluminum	Aluminum	1 / 4	IN-2125



Recommandations:

Concrete must be made of 0,2% brut area reinforced 2000psi (13.8 MPa) or better. Minimum thickness of 7'' (178mm).

OR
Concrete 2000psi (13.8 MPa) or better. Minimum thickness of 11 1/4" (286mm).

Moment capacity:
120,000 lbf-in (13,558 N-m)
Vertical load: 5,000 lbf (22,241 N).
N.B. It is the responsibility of the field Engineer to assure installation compliance.

PAT. NO.:		©2008/01/23 ©	
PRODUITS DE SERVICE PUBLICS INNOVA INC. INNOVA PUBLIC UTILITY PRODUCTS INC.			
<small>© 9105-0732 QUEBEC INC. and under exclusive license to INNOVA PUBLIC UTILITY PRODUCTS INC., (hereafter « INNOVA »). All rights reserved. Protected under the Copyright Act of Canada and international treaties and agreements regarding copyrights. Violators are subject to prosecution and other legal recourses for infringement. Any reproduction, adaptation or other use or disclosure whatsoever, in totality or in part, and in any form or by any means whatsoever, strictly forbidden and requires the prior written approval of INNOVA. All data is the exclusive property of 9105-0732 QUEBEC INC. and under exclusive license to INNOVA and cannot be used nor disclosed in any way either without the prior written approval of INNOVA.</small>			
WEIGHT:	TITLE:		
115 Lbs	Overall drawing of		
52 Kg	Ajustable barrel adapter max: 45"		
COLOR:	MATERIAL:	SHEET(S):	PROJECT:
Aluminum	Aluminum	2 / 4	IN-2125

SPECIFICATIONS

H This product is man rated with a maximum working capacity of 360lbs (164kg). It is only to be used in conjunction with personal fall arrest equipment that limits the maximum arrerst force (MAF).

Maximum Working Moment : 9,762 N-m (86,400 lbf-in)
Maximum Moment : 13,558 N-m (120,000 lbf-in)

STANDARDS

F Meets the following standards:
OSHA Personal fall arrest system - 1910.66 App C
ANSI Safety requirements for personal fall arrest system, subsystems and components Z359.1
CAN/CSA Fall arresters, vertical lifelines, and rails Z259.2.1-98

MATERIAL AND CONSTRUCTION

D Principal body : Aluminum 6061-T6
Sleeve bearing : PVC pipe
Hardware : Zinc plated
Screwing plate : Black painted steel
Sliding strips : UHMW
Pin : Zinc plated Steel
Lanyard : Nylon covered Steel Cable
Welding certification : CSA W47,2M
CSA W59 & 47.1, AWS D1.6

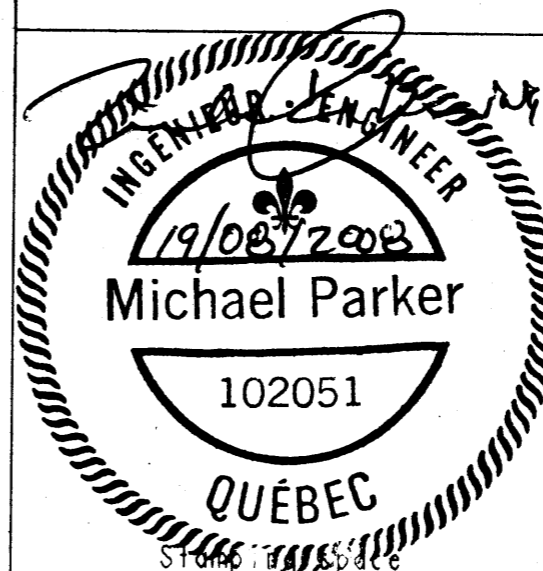
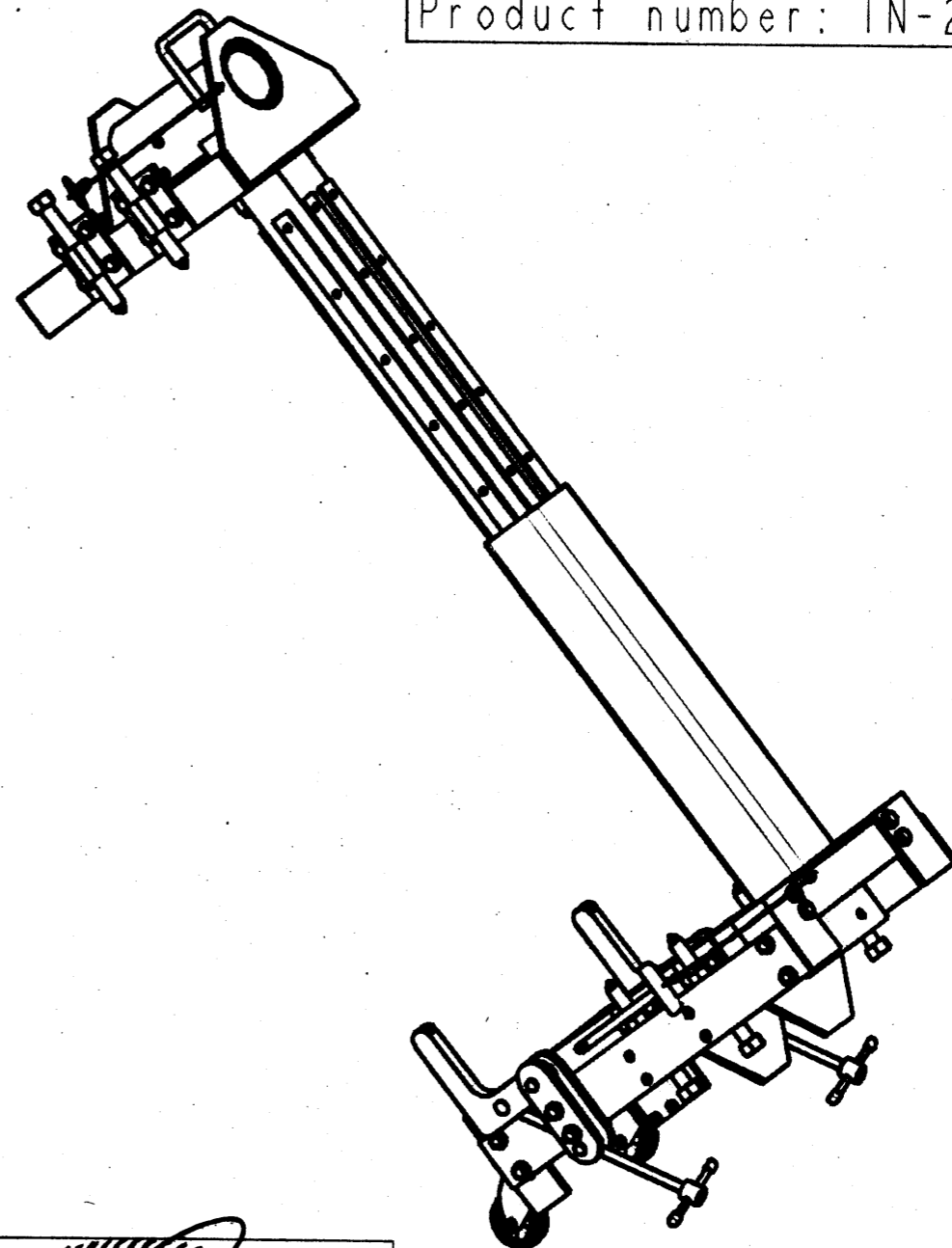
RESTRICTIONS

B IMPORTANT :
The positioning pin must always be in place when manouvering personnel. Adaptors are designed to function only with Innova public utility products INC. equipment.

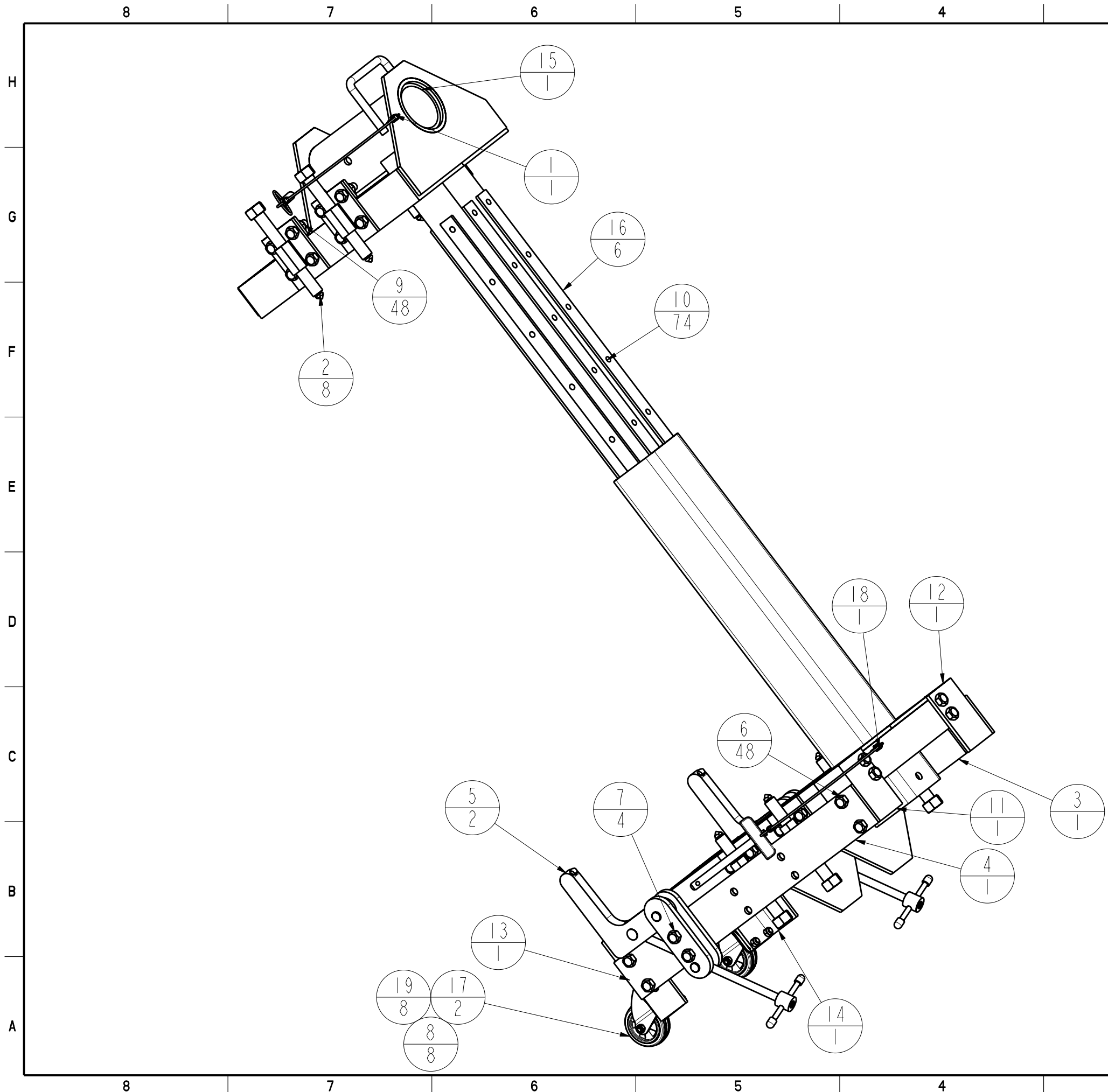
Equipment must be inspected before re-using by qualified personnel when a fall has accured.

A This product is not intended to be used sideways. It is not considered as a permanent structure and shall be used with care.

Product number: IN-2125



PAT. NO.:		©2008/01/23 ©	
PRODUITS DE SERVICE PUBLICS INNOVA INC. INNOVA PUBLIC UTILITY PRODUCTS INC.			
<small>© 9105-0732 QUEBEC INC. and under exclusive license to INNOVA PUBLIC UTILITY PRODUCTS INC., hereafter "INNOVA". All rights reserved. Protected under the Copyright Act of Canada and international treaties and agreements regarding copyrights. Violators are subject to prosecution and other legal recourses for infringement. Any reproduction, adaptation or other use or disclosure whatsoever, in totality or in part, and in any form or by any means whatsoever, strictly forbidden and requires the prior written approval of INNOVA. All data is the exclusive property of 9105-0732 QUEBEC INC. and under exclusive license to INNOVA and cannot be used or disclosed in any way either without the prior written approval of INNOVA.</small>			
WEIGHT:	TITLE:		
115 Lbs	Overall drawing of		
52 Kg	Adjustable barrel adapter max: 45"		
COLOR:	MATERIAL:	SHEET(S):	PROJECT:
Aluminum	Aluminum	3 / 4	IN-2125



IDX	QTE	COMPONENT	REV	DESCRIPTION	MATERIAL
19	8	HN-177		Hex lock nut 5/16-18 unc	
18	1	A2002-09		Assembling kit with black handle/4.5"/dbl lock	
17	2	257BLO-BKPA-TP		Wheel TPA 80mm x 25mm reinforced collective serie	
16	6	P2125-003		Sliding strip	UHMW
15	1	P2006-004		Pvc sleeve adaptators	PVC Ced. 40
14	1	P2075-019		Right lower corner	Alu. 6061-T6
13	1	P2075-020		Left lower corner	Alu 6061-T6
12	1	P2075-018		Right upper corner	Alu 6061-T6
11	1	P2075-017		Left upper corner	Alu 6061-T6
10	74	310-805		Pop rivet SS 3/16" x 0.565"	
9	48	HN-2035		Nylon Insert Hex Locknuts 1/2-13 ss	
8	8	HC-25		Hex. steel bolt 5/16"-18 x 3/4"	
7	4	CS-2047		Bolt unc 1/2"-13 x 4" steel	
6	48	CS-2043		Bolt unc 1/2"-13 x 4" steel	
5	2	A2075-07		Assembly of security hook	
4	1	A2075-06		Right assembly of restraint plate	
3	1	A2075-05		Left assembly of restraint plate	
2	8	A2075-04		Screwing plate assembly	
1	1	A2005-04		Cable with pin assembly	

PAT. NO.:		©2008/01/23 ©	
PRODUITS DE SERVICE PUBLICS INNOVA INC. INNOVA PUBLIC UTILITY PRODUCTS INC.			
© 9105-0732 QUEBEC INC. and under exclusive license to INNOVA PUBLIC UTILITY PRODUCTS INC., (hereafter « INNOVA »). All rights reserved. Protected under the Copyright Act of Canada and international treaties and agreements regarding copyrights. Violators are subject to prosecution and other legal recourses for infringement. Any reproduction, adaptation or other use or disclosure whatsoever, in totality or in part, and in any form or by any means whatsoever, strictly forbidden and requires the prior written approval of INNOVA. All data is the exclusive property of 9105-0732 QUEBEC INC. and under exclusive license to INNOVA and cannot be used nor disclosed in any way either without the prior written approval of INNOVA.			
WEIGHT:	TITLE:		
115 Lbs	Overall drawing of Adjustable barrel adapter max: 45"		
52 Kg	COLOR:	MATERIAL:	SHEET(S):
	Aluminum	Aluminum	4 / 4
			PROJECT:
			IN-2125