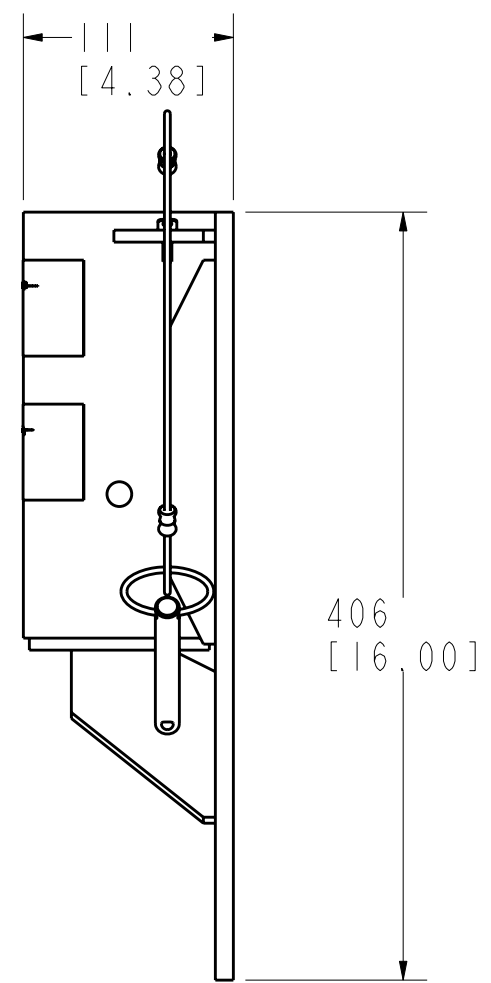
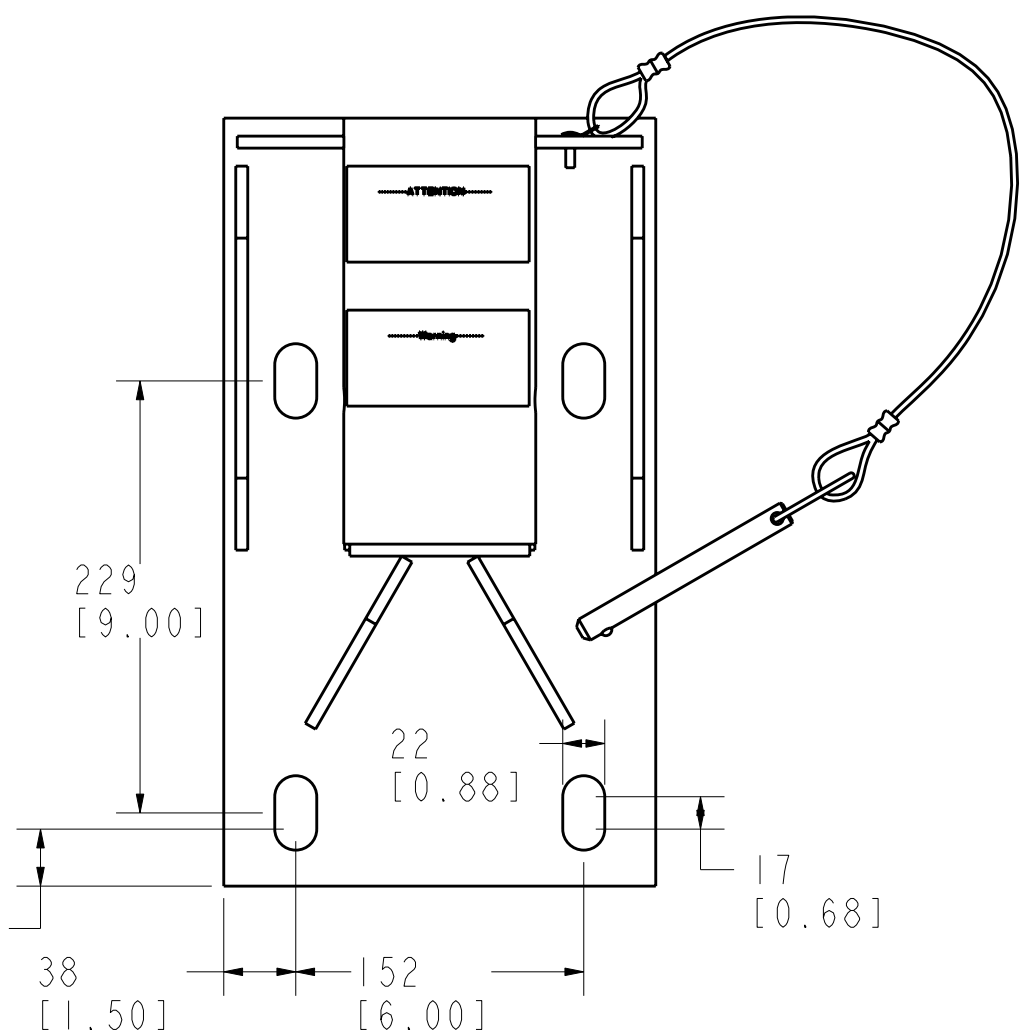
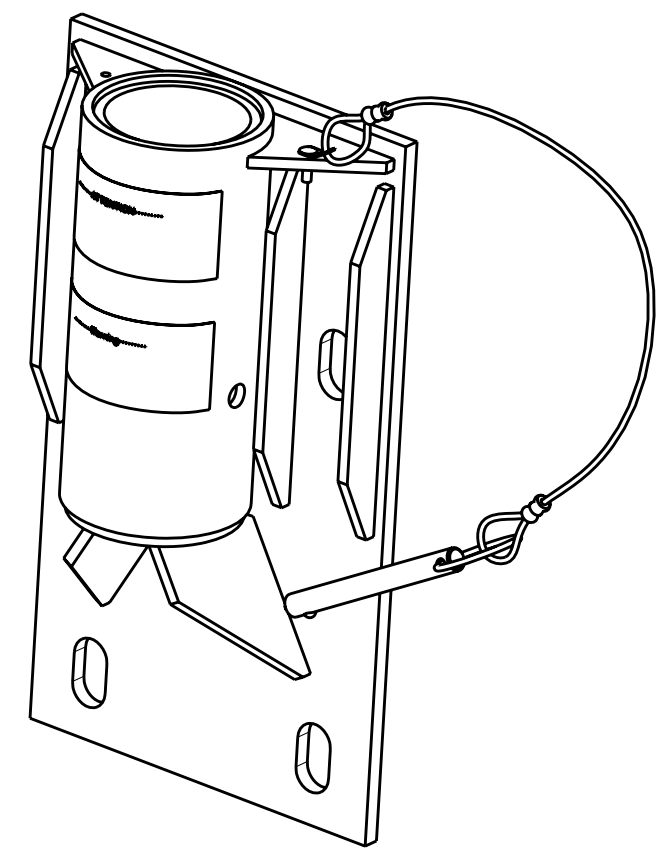
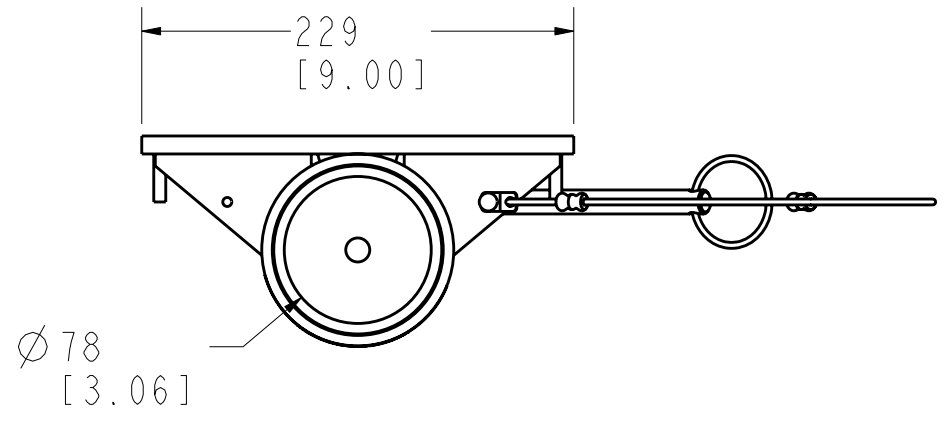


8 7 6 5 4 3 2 1

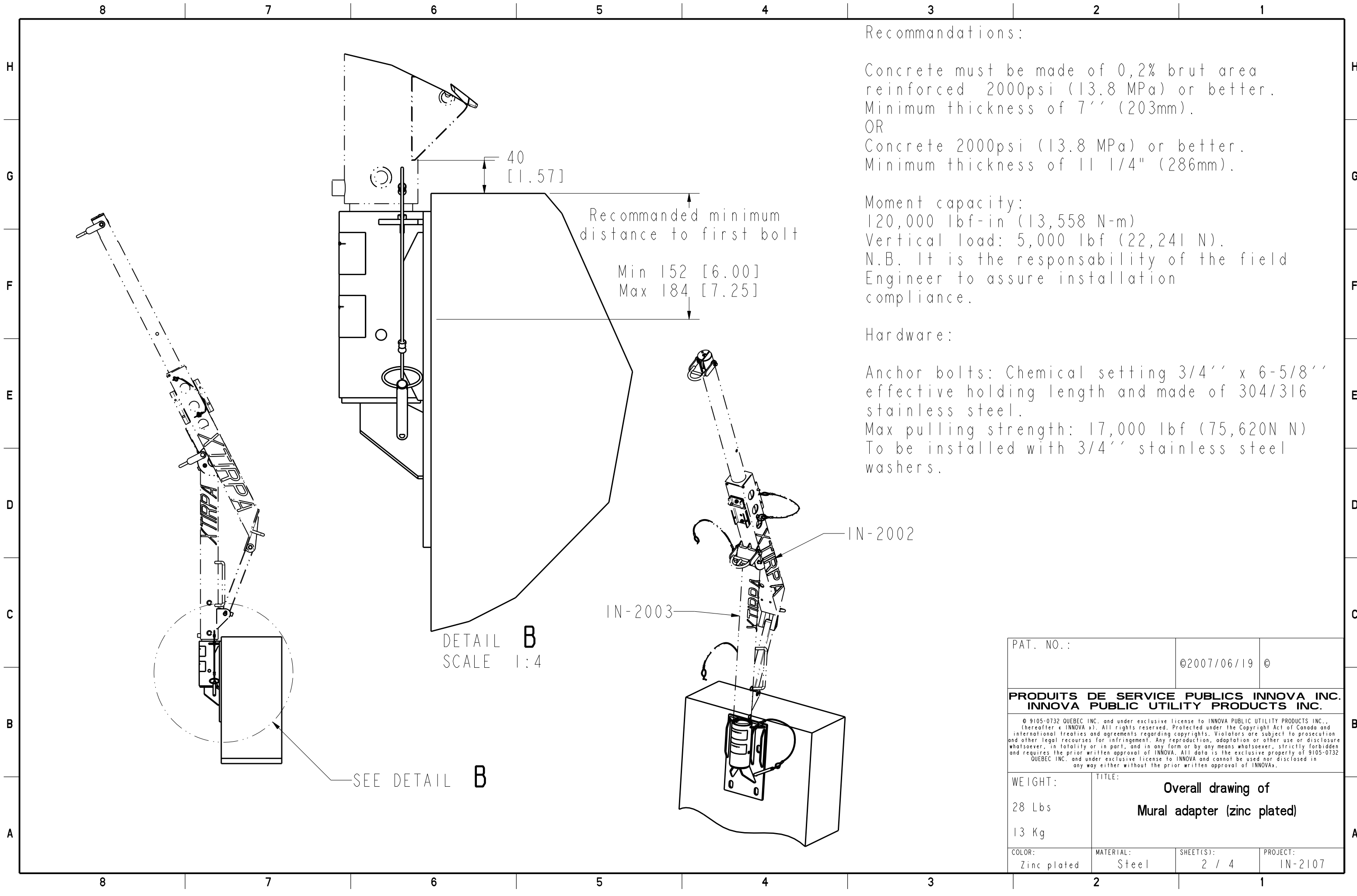
H
G
F
E
D
C
B
A

H
G
F
E
D
C
B
A



PAT. NO.:		©2007/06/19 ©	
PRODUITS DE SERVICE PUBLICS INNOVA INC. INNOVA PUBLIC UTILITY PRODUCTS INC.			
<small>© 9105-0732 QUEBEC INC. and under exclusive license to INNOVA PUBLIC UTILITY PRODUCTS INC., (hereafter « INNOVA »). All rights reserved. Protected under the Copyright Act of Canada and international treaties and agreements regarding copyrights. Violators are subject to prosecution and other legal recourses for infringement. Any reproduction, adaptation or other use or disclosure whatsoever, in totality or in part, and in any form or by any means whatsoever, strictly forbidden and requires the prior written approval of INNOVA. All data is the exclusive property of 9105-0732 QUEBEC INC. and under exclusive license to INNOVA and cannot be used nor disclosed in any way either without the prior written approval of INNOVA.</small>			
WEIGHT:	TITLE:		
28 Lbs	Overall drawing of Mural adapter (zinc plated)		
13 Kg	COLOR:	MATERIAL:	SHEET(S):
	Zinc plated	Steel	1 / 4
		PROJECT:	
		IN-2107	

8 7 6 5 4 3 2 1



Recommandations:

Concrete must be made of 0,2% brut area reinforced 2000psi (13.8 MPa) or better. Minimum thickness of 7'' (203mm).

OR

Concrete 2000psi (13.8 MPa) or better. Minimum thickness of 11 1/4'' (286mm).

Moment capacity:

120,000 lbf-in (13,558 N-m)

Vertical load: 5,000 lbf (22,241 N).

N.B. It is the responsibility of the field Engineer to assure installation compliance.

Hardware:

Anchor bolts: Chemical setting 3/4'' x 6-5/8'' effective holding length and made of 304/316 stainless steel.

Max pulling strength: 17,000 lbf (75,620N N)
To be installed with 3/4'' stainless steel washers.

DETAIL B
SCALE 1:4

SEE DETAIL B

IN-2002

IN-2003

PAT. NO.:		©2007/06/19 ©	
PRODUITS DE SERVICE PUBLICS INNOVA INC. INNOVA PUBLIC UTILITY PRODUCTS INC.			
© 9105-0732 QUEBEC INC. and under exclusive license to INNOVA PUBLIC UTILITY PRODUCTS INC., (hereafter « INNOVA »). All rights reserved. Protected under the Copyright Act of Canada and international treaties and agreements regarding copyrights. Violators are subject to prosecution and other legal recourses for infringement. Any reproduction, adaptation or other use or disclosure whatsoever, in totality or in part, and in any form or by any means whatsoever, strictly forbidden and requires the prior written approval of INNOVA. All data is the exclusive property of 9105-0732 QUEBEC INC. and under exclusive license to INNOVA and cannot be used nor disclosed in any way either without the prior written approval of INNOVA.			
WEIGHT:	TITLE:		
28 Lbs	Overall drawing of Mural adapter (zinc plated)		
13 Kg			
COLOR:	MATERIAL:	SHEET(S):	PROJECT:
Zinc plated	Steel	2 / 4	IN-2107

SPECIFICATIONS

H This product is man rated with a maximum working capacity of 360lbs (164kg). It is only to be used in conjunction with personal fall arrest equipment that limits the maximum arrest force (MAF).

Maximum Working Moment : 9,762 N-m (86,400 lbf-in)
 Maximum Moment : 13,558 N-m (120,000 lbf-in)

STANDARDS

Meets the following standards:

- F OSHA Personal fall arrest system - 1910.66 App C
- ANSI Safety requirements for personal fall arrest system, subsystems and components Z359.1
- E CAN/CSA Fall arresters, vertical lifelines, and rails Z259.2.1-98

MATERIAL AND CONSTRUCTION

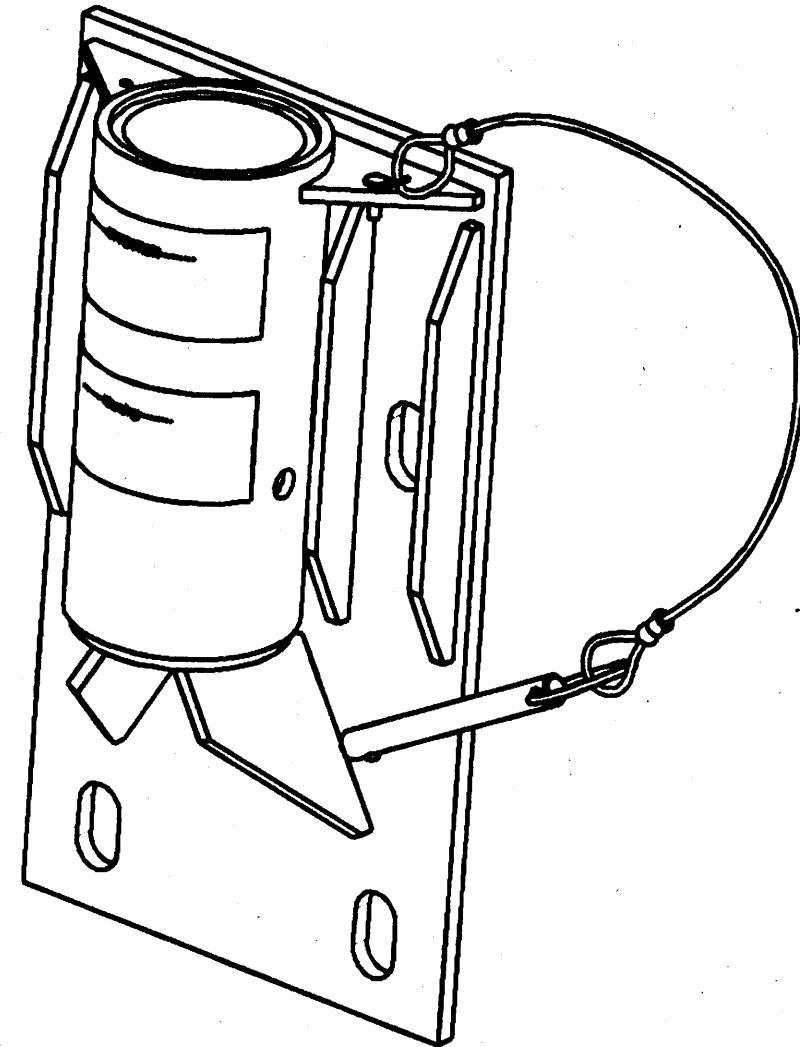
- D Plate and gussets : Steel 44W (300W) CSA G40.21
- Sleeve : Steel 1026 DOM
- Finish : Zinc plated, ASTM B633-85, Type III, SC2
- Sleeve bearing : PVC Pipe
- Pin : Zinc plated Steel
- Lanyard : Nylon covered Steel Cable
- Welding Certification : CSA W59 & W47.1, AWS D1.6

RESTRICTIONS

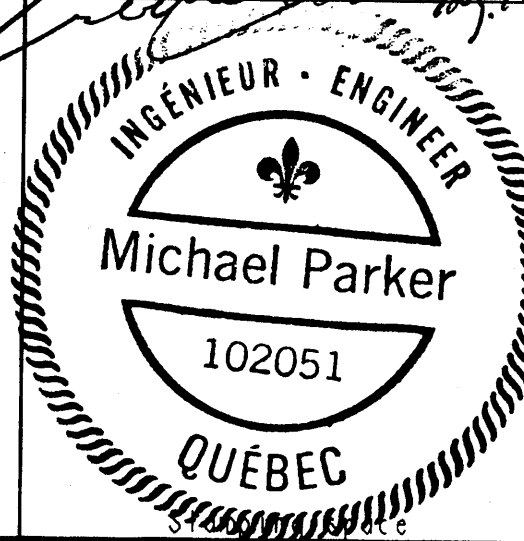
IMPORTANT :

The positioning pin must always be in place when manouversing personnel. Adaptors are designed to function only with Innova public utility products INC. equipment. Anchorage hardware must be installed by qualified and experienced personnel. The installer must follow the anchorage hardware manufacturers recommendations at all time. Periodic inspections of hardware must be done. All equipment and hardware must be inspected before re-using by qualified personnel when a fall has accured.

Product number: IN-2107



Michael Parker 10/27/2008



PAT. NO. :		02007/06/19 ©	
PRODUITS DE SERVICE PUBLICS INNOVA INC. INNOVA PUBLIC UTILITY PRODUCTS INC.			
<small>© 9105-0732 QUEBEC INC. and under exclusive license to INNOVA PUBLIC UTILITY PRODUCTS INC. (hereafter "INNOVA"). All rights reserved. Protected under the Copyright Act of Canada and international treaties and agreements regarding copyrights. Violators are subject to prosecution and other legal recourse for infringement. Any reproduction, adaptation or other use or disclosure whatsoever, in totality or in part, and in any form or by any means whatsoever, strictly forbidden and requires the prior written approval of INNOVA. All data is the exclusive property of 9105-0732 QUEBEC INC. and under exclusive license to INNOVA and cannot be used or disclosed in any way either without the prior written approval of INNOVA.</small>			
WEIGHT:	TITLE:		
28 Lbs	Overall drawing of		
13 Kg	Mural adapter (zinc plated)		
COLOR:	MATERIAL:	SHEET(S):	PROJECT:
Zinc plated	Steel	3 / 4	IN-2107

