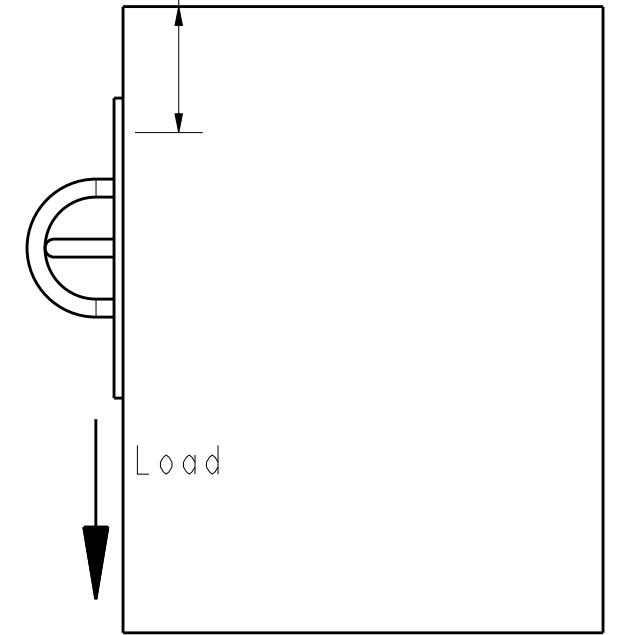
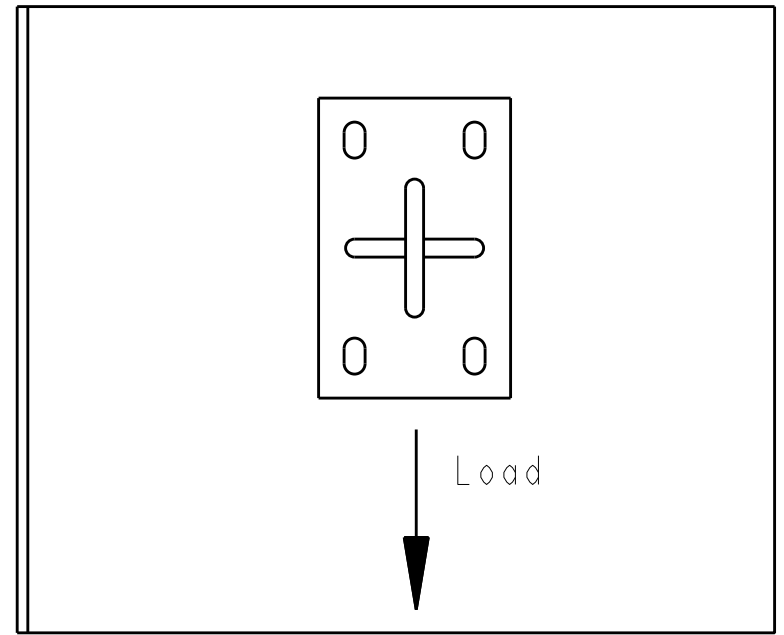


PAT. NO.:		©2006/12/07 ©	
PRODUITS DE SERVICE PUBLICS INNOVA INC. INNOVA PUBLIC UTILITY PRODUCTS INC.			
<small>© 9105-0732 QUEBEC INC. and under exclusive license to INNOVA PUBLIC UTILITY PRODUCTS INC., (hereafter « INNOVA »). All rights reserved. Protected under the Copyright Act of Canada and international treaties and agreements regarding copyrights. Violators are subject to prosecution and other legal recourses for infringement. Any reproduction, adaptation or other use or disclosure whatsoever, in totality or in part, and in any form or by any means whatsoever, strictly forbidden and requires the prior written approval of INNOVA. All data is the exclusive property of 9105-0732 QUEBEC INC. and under exclusive license to INNOVA and cannot be used nor disclosed in any way either without the prior written approval of INNOVA.</small>			
WEIGHT:	TITLE:		
13 Lbs	Overall drawing of Mural anchorage ring adapter		
6 Kg			
COLOR:	MATERIAL:	SHEET(S):	PROJECT:
Stainless	Stainless	1 / 4	IN-2087

8 7 6 5 4 3 2 1

H
G
F
E
D
C
B
A

H
G
F
E
D
C
B
A



Recommanded
minimum distance
133,4
[5.250]

Recommandations:

Concrete must be made of 0,2% brut area reinforced 2000psi (13.8 MPa) or better. Minimum thickness of 8'' (203mm).

Moment capacity:

25,000 lbf-in (2,825 N-m)
Vertical load: 5,000 lbf (22,241 N).
N.B. It is the responsibility of the field Engineer to assure installation compliance.

Hardware:

Anchor bolts: Chemical setting 3/4'' x 6-5/8'' effective holding length and made of 304/316 stainless steel.
Max pulling strength: 5,000 lbf (22,241N)/bolt
To be installed with 3/4'' stainless steel washers.

For wall installation :

It is recommended that you install the adapter with the longest side in the direction of the load.

PAT. NO.:		©2006/12/07 ©	
PRODUITS DE SERVICE PUBLICS INNOVA INC. INNOVA PUBLIC UTILITY PRODUCTS INC.			
© 9105-0732 QUEBEC INC. and under exclusive license to INNOVA PUBLIC UTILITY PRODUCTS INC., (hereafter « INNOVA »). All rights reserved. Protected under the Copyright Act of Canada and international treaties and agreements regarding copyrights. Violators are subject to prosecution and other legal recourses for infringement. Any reproduction, adaptation or other use or disclosure whatsoever, in totality or in part, and in any form or by any means whatsoever, strictly forbidden and requires the prior written approval of INNOVA. All data is the exclusive property of 9105-0732 QUEBEC INC. and under exclusive license to INNOVA and cannot be used nor disclosed in any way either without the prior written approval of INNOVA.			
WEIGHT:	TITLE:		
13 Lbs	Overall drawing of Mural anchorage ring adapter		
6 Kg			
COLOR:	MATERIAL:	SHEET(S):	PROJECT:
Stainless	Stainless	2 / 4	IN-2087

8 7 6 5 4 3 2 1

SPECIFICATIONS

H This product is man rated with a maximum working capacity of 360lbs (164kg). It is only to be used in conjunction with personal fall arrest equipment that limits the maximum arrerst force (MAF).

Maximum working load : 3600 lbf (16014 N)
Maximum conception load : 5000 lbf (22.241 N)

STANDARDS

Meets the following standards:

- F OSHA Personal fall arrest system - 1910.66 App C
- ANSI Safety requirements for personal fall arrest system, subsystems and components Z359.1
- E CAN/CSA Fall arresters, vertical lifelines, and rails Z259.2.1-98

MATERIAL AND CONSTRUCTION

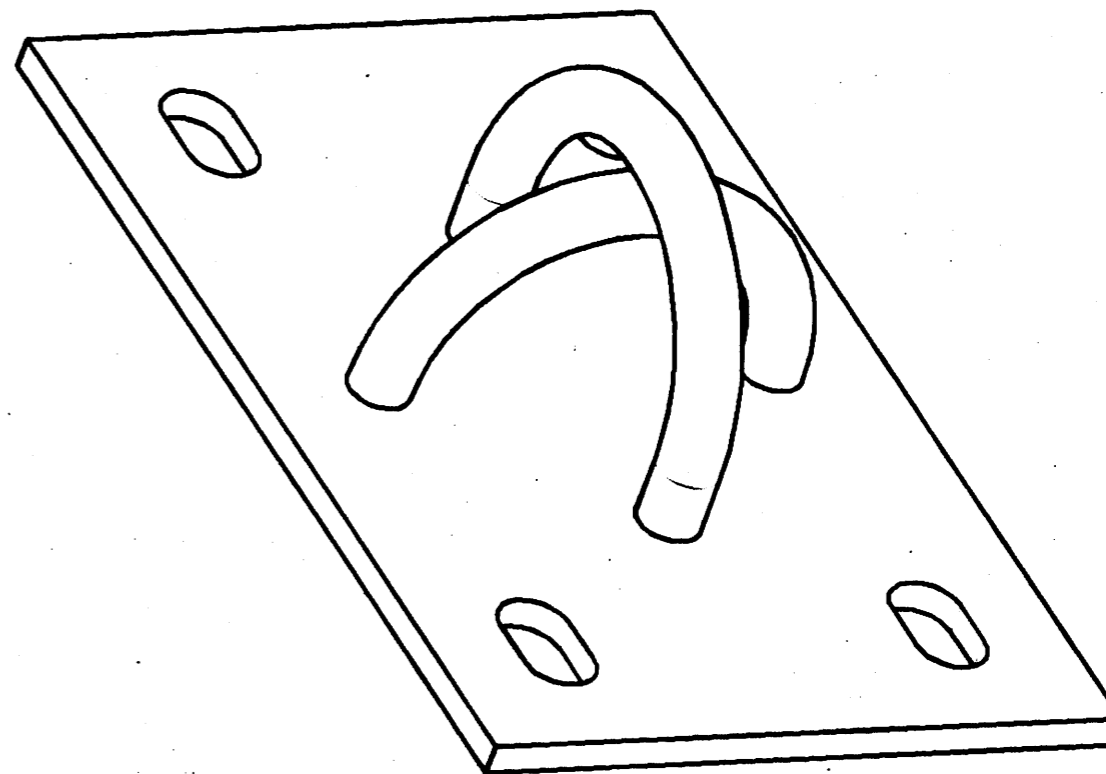
D Plate and hooks : 304 Stainless Steel
Welding Certification : CSA W59 & W47.1, AWS D1.6

RESTRICTIONS

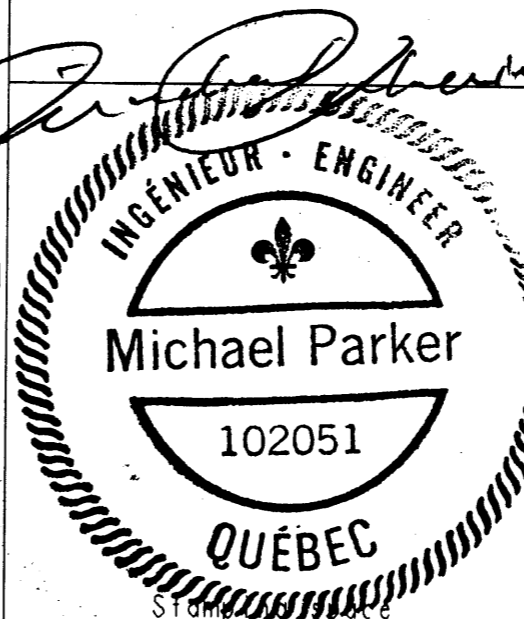
IMPORTANT :

B Anchorage hardware must be installed by qualified and experienced personnel. The installer must follow the anchorage hardware manufacturers recommendations at all time. Periodic inspections of hardware must be done. All equipment and hardware must be inspected before re-using by qualified personnel when a fall has accured.

Product number: IN-2087



Per Michel Parker 22/07/2008



PAT. NO. :		©2006/12/07 ©	
PRODUITS DE SERVICE PUBLICS INNOVA INC. INNOVA PUBLIC UTILITY PRODUCTS INC.			
<small>© 9105-0732 QUEBEC INC. and under exclusive license to INNOVA PUBLIC UTILITY PRODUCTS INC., (hereafter "INNOVA"). All rights reserved. Protected under the Copyright Act of Canada and international treaties and agreements regarding copyrights. Violators are subject to prosecution and other legal recourses for infringement. Any reproduction, adaptation or other use or disclosure whatsoever, in totality or in part, and in any form or by any means whatsoever, strictly forbidden and requires the prior written approval of INNOVA. All data is the exclusive property of 9105-0732 QUEBEC INC. and under exclusive license to INNOVA and cannot be used or disclosed in any way either without the prior written approval of INNOVA.</small>			
WEIGHT:		TITLE:	
13 Lbs		Overall drawing of Mural anchorage ring adapter	
6 Kg			
COLOR:	MATERIAL:	SHEET(S):	PROJECT:
Stainless	Stainless	3 / 4	IN-2087

8 7 6 5 4 3 2 1

H
G
F
E
D
C
B
A

H
G
F
E
D
C
B
A

PAT. NO.:		©2006/12/07 ©	
PRODUITS DE SERVICE PUBLICS INNOVA INC. INNOVA PUBLIC UTILITY PRODUCTS INC.			
<small>© 9105-0732 QUEBEC INC. and under exclusive license to INNOVA PUBLIC UTILITY PRODUCTS INC., (hereafter « INNOVA »). All rights reserved. Protected under the Copyright Act of Canada and international treaties and agreements regarding copyrights. Violators are subject to prosecution and other legal recourses for infringement. Any reproduction, adaptation or other use or disclosure whatsoever, in totality or in part, and in any form or by any means whatsoever, strictly forbidden and requires the prior written approval of INNOVA. All data is the exclusive property of 9105-0732 QUEBEC INC. and under exclusive license to INNOVA and cannot be used nor disclosed in any way either without the prior written approval of INNOVA.</small>			
WEIGHT:	TITLE:		
13 Lbs	Overall drawing of Mural anchorage ring adapter		
6 Kg			
COLOR:	MATERIAL:	SHEET(S):	PROJECT:
Stainless	Stainless	4 / 4	IN-2087

8 7 6 5 4 3 2 1