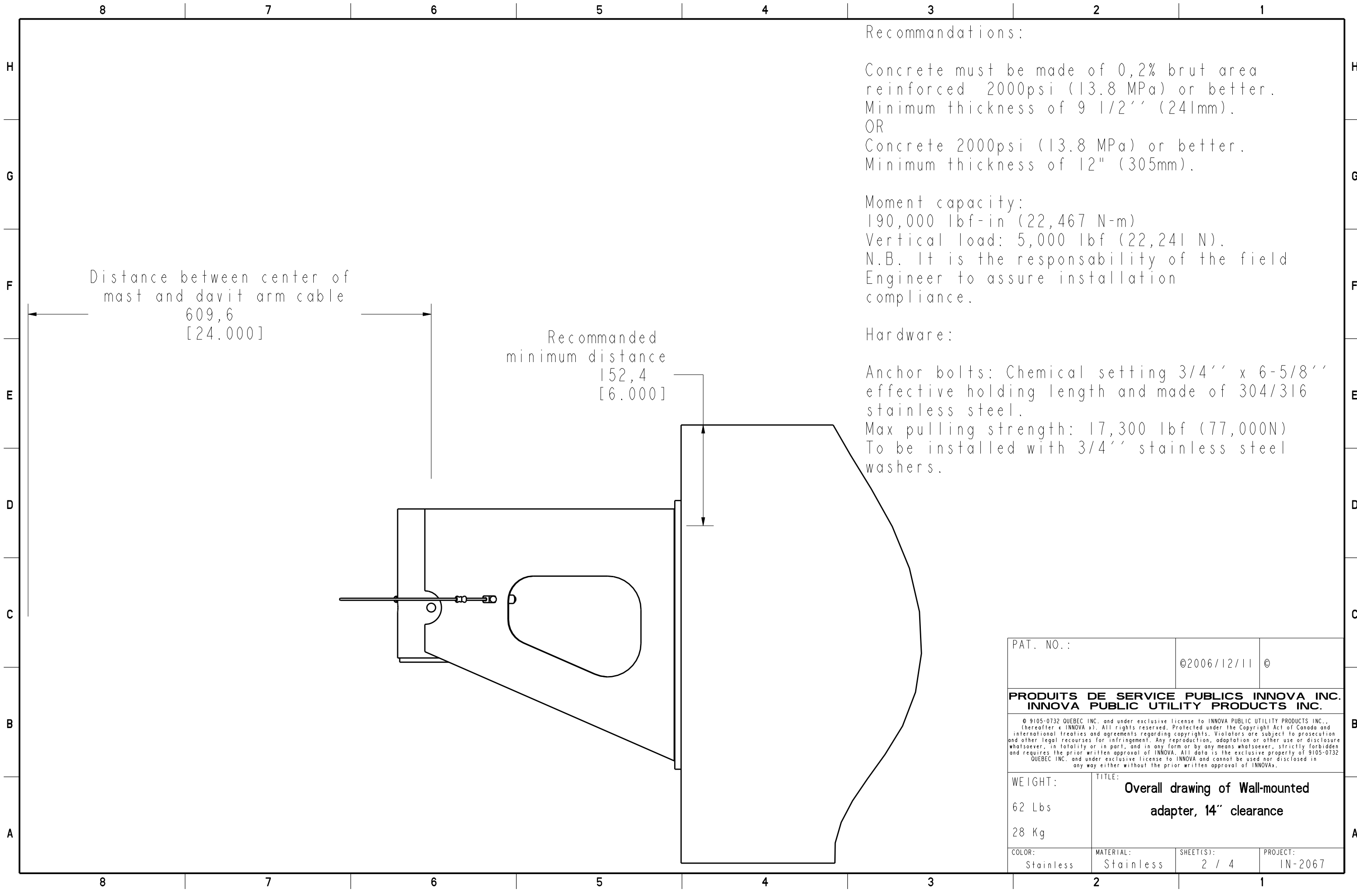


PAT. NO.:		©2006/12/11 ©	
<b>PRODUITS DE SERVICE PUBLICS INNOVA INC. INNOVA PUBLIC UTILITY PRODUCTS INC.</b>			
<small>© 9105-0732 QUEBEC INC. and under exclusive license to INNOVA PUBLIC UTILITY PRODUCTS INC., (hereafter « INNOVA »). All rights reserved. Protected under the Copyright Act of Canada and international treaties and agreements regarding copyrights. Violators are subject to prosecution and other legal recourses for infringement. Any reproduction, adaptation or other use or disclosure whatsoever, in totality or in part, and in any form or by any means whatsoever, strictly forbidden and requires the prior written approval of INNOVA. All data is the exclusive property of 9105-0732 QUEBEC INC. and under exclusive license to INNOVA and cannot be used nor disclosed in any way either without the prior written approval of INNOVA.</small>			
WEIGHT:	TITLE:		
62 Lbs	<b>Overall drawing of Wall-mounted adapter, 14" clearance</b>		
28 Kg			
COLOR:	MATERIAL:	SHEET(S):	PROJECT:
Stainless	Stainless	1 / 4	IN-2067



Distance between center of  
mast and davit arm cable  
609,6  
[24.000]

Recommended  
minimum distance  
152,4  
[6.000]

Recommandations:

Concrete must be made of 0,2% brut area  
reinforced 2000psi (13.8 MPa) or better.  
Minimum thickness of 9 1/2'' (241mm).  
OR  
Concrete 2000psi (13.8 MPa) or better.  
Minimum thickness of 12" (305mm).

Moment capacity:

190,000 lbf-in (22,467 N-m)  
Vertical load: 5,000 lbf (22,241 N).  
N.B. It is the responsibility of the field  
Engineer to assure installation  
compliance.

Hardware:

Anchor bolts: Chemical setting 3/4'' x 6-5/8''  
effective holding length and made of 304/316  
stainless steel.  
Max pulling strength: 17,300 lbf (77,000N)  
To be installed with 3/4'' stainless steel  
washers.

PAT. NO.:		©2006/12/11 ©	
<b>PRODUITS DE SERVICE PUBLICS INNOVA INC. INNOVA PUBLIC UTILITY PRODUCTS INC.</b>			
© 9105-0732 QUEBEC INC. and under exclusive license to INNOVA PUBLIC UTILITY PRODUCTS INC., (hereafter « INNOVA »). All rights reserved. Protected under the Copyright Act of Canada and international treaties and agreements regarding copyrights. Violators are subject to prosecution and other legal recourses for infringement. Any reproduction, adaptation or other use or disclosure whatsoever, in totality or in part, and in any form or by any means whatsoever, strictly forbidden and requires the prior written approval of INNOVA. All data is the exclusive property of 9105-0732 QUEBEC INC. and under exclusive license to INNOVA and cannot be used nor disclosed in any way either without the prior written approval of INNOVA.			
WEIGHT:	TITLE: <b>Overall drawing of Wall-mounted adapter, 14" clearance</b>		
62 Lbs			
28 Kg			
COLOR:	MATERIAL:	SHEET(S):	PROJECT:
Stainless	Stainless	2 / 4	IN-2067

Product number: IN-2067

SPECIFICATIONS

H This product is man rated with a maximum working capacity of 360lbs (164kg). It is only to be used in conjunction with personal fall arrest equipment that limits the maximum arrerst force (MAF).

Maximum Working Moment : 9,762 N-m (86,400 lbf-in)  
Maximum Moment : 13,558 N-m (120,000 lbf-in)

STANDARDS

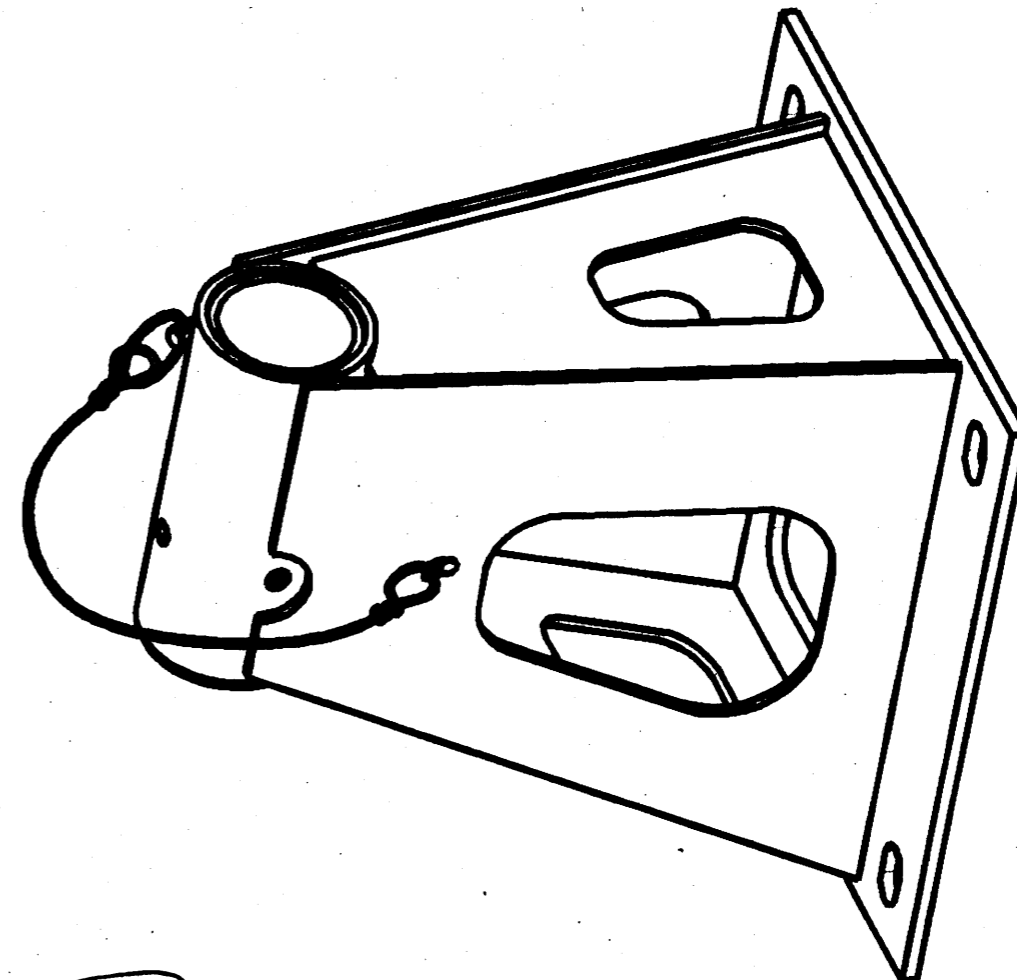
F Meets the following standards:  
OSHA Personal fall arrest system - 1910.66 App C  
ANSI Safety requirements for personal fall arrest system, subsystems and components Z359.1  
CAN/CSA Fall arresters, vertical lifelines, and rails Z259.2.1-98

MATERIAL AND CONSTRUCTION

D Plate, gussets and sleeve : 304 Stainless Steel  
Sleeve bearing : PVC Pipe.  
Pin : Zinc-plated Steel  
Lanyard : Nylon covered Steel Cable  
Welding Certification : CSA W59 & W47.1, AWS DI.6

RESTRICTIONS

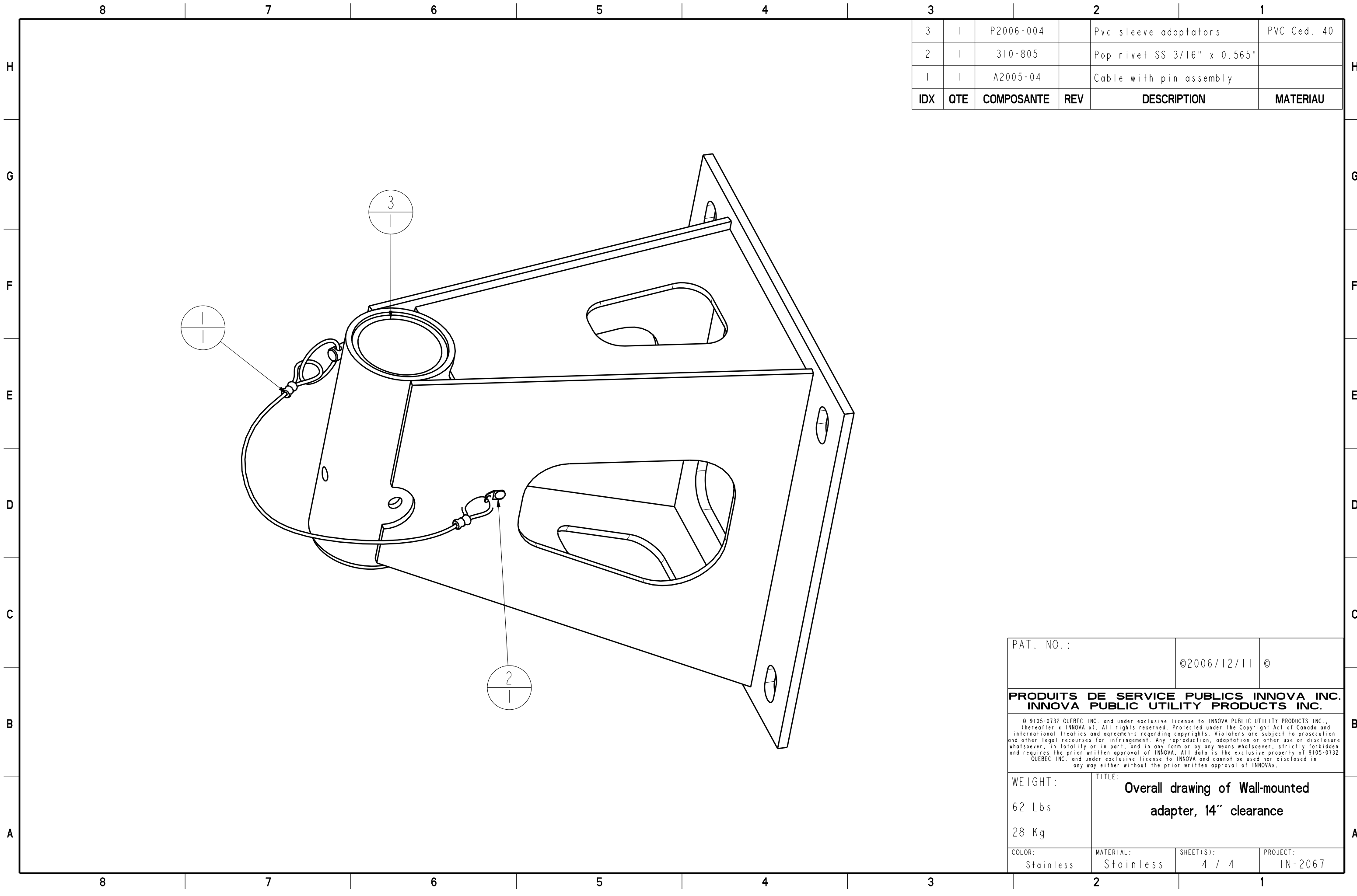
B IMPORTANT :  
The positioning pin must always be in place when manouvering personnel. Adaptors are designed to function only with Innova public utility products INC. equipment. Anchorage hardware must be installed by qualified and experienced personnel. The installer must follow the anchorage hardware manufacturers recommendations at all time. Periodic inspections of hardware must be done. All equipment and hardware must be inspected before re-using by qualified personnel when a fall has accured.



*Michael Parker* 21/07/2008



PAT. NO.:		©2006/12/11 ©	
<b>PRODUITS DE SERVICE PUBLICS INNOVA INC.</b> <b>INNOVA PUBLIC UTILITY PRODUCTS INC.</b>			
<small>© 0105-0732 QUEBEC INC. and under exclusive license to INNOVA PUBLIC UTILITY PRODUCTS INC., hereafter « INNOVA ». All rights reserved. Protected under the Copyright Act of Canada and international treaties and agreements regarding copyrights. Violators are subject to prosecution and other legal recourse for infringement. Any reproduction, adaptation or other use or disclosure whatsoever, in totality or in part, and in any form or by any means whatsoever, strictly forbidden and requires the prior written approval of INNOVA. All data is the exclusive property of 0105-0732 QUEBEC INC. and under exclusive license to INNOVA and cannot be used nor disclosed in any way either without the prior written approval of INNOVA.</small>			
WEIGHT:		TITLE:	
62 Lbs		Overall drawing of Wall-mounted adapter, 14" clearance	
28 Kg			
COLOR:	MATERIAL:	SHEET(S):	PROJECT:
Stainless	Stainless	3 / 4	IN-2067



3	2	1			
IDX	QTE	COMPOSANTE	REV	DESCRIPTION	MATERIAU
3	1	P2006-004		Pvc sleeve adaptators	PVC Ced. 40
2	1	310-805		Pop rivet SS 3/16" x 0.565"	
1	1	A2005-04		Cable with pin assembly	

PAT. NO.:		©2006/12/11 ©	
<b>PRODUITS DE SERVICE PUBLICS INNOVA INC.</b> <b>INNOVA PUBLIC UTILITY PRODUCTS INC.</b>			
<small>© 9105-0732 QUEBEC INC. and under exclusive license to INNOVA PUBLIC UTILITY PRODUCTS INC., (hereafter « INNOVA »). All rights reserved. Protected under the Copyright Act of Canada and international treaties and agreements regarding copyrights. Violators are subject to prosecution and other legal recourses for infringement. Any reproduction, adaptation or other use or disclosure whatsoever, in totality or in part, and in any form or by any means whatsoever, strictly forbidden and requires the prior written approval of INNOVA. All data is the exclusive property of 9105-0732 QUEBEC INC. and under exclusive license to INNOVA and cannot be used nor disclosed in any way either without the prior written approval of INNOVA.</small>			
WEIGHT:	TITLE:		
62 Lbs	Overall drawing of Wall-mounted adapter, 14" clearance		
28 Kg			
COLOR:	MATERIAL:	SHEET(S):	PROJECT:
Stainless	Stainless	4 / 4	IN-2067