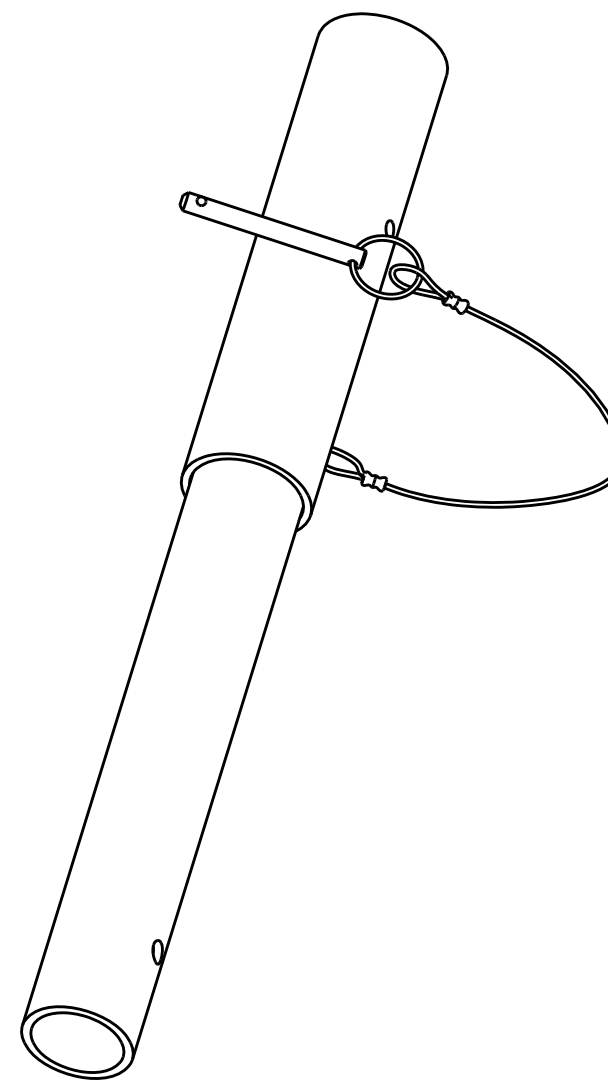
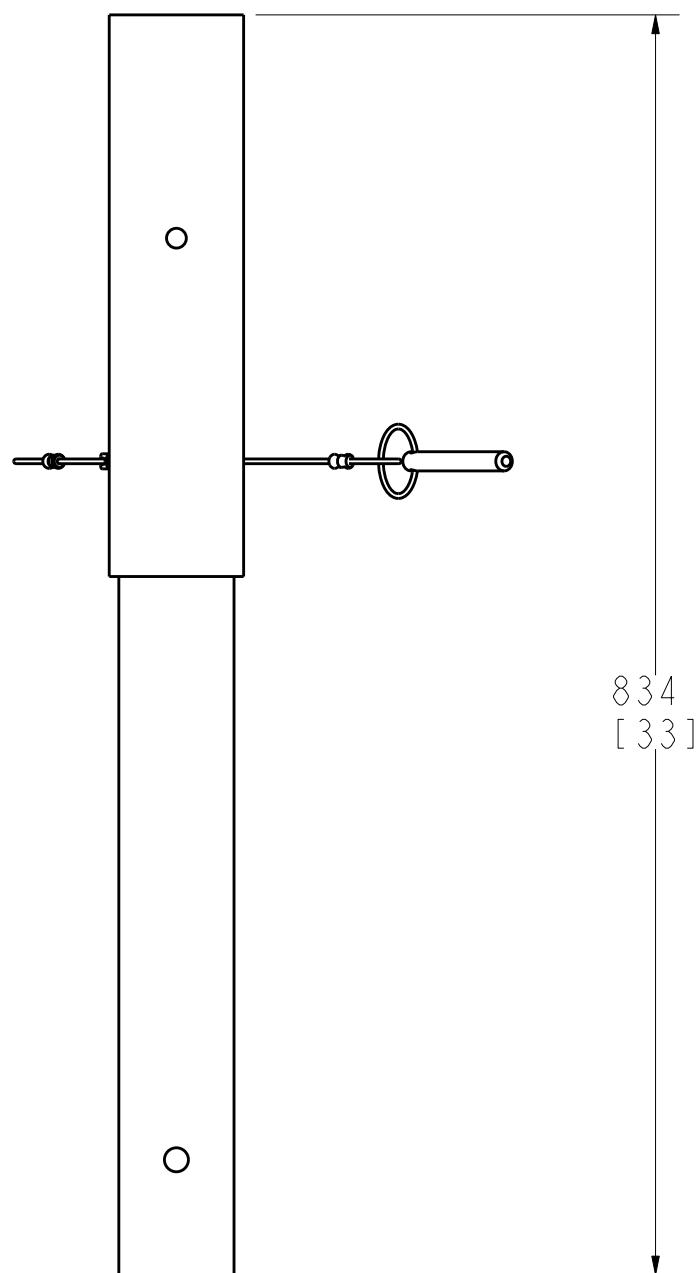
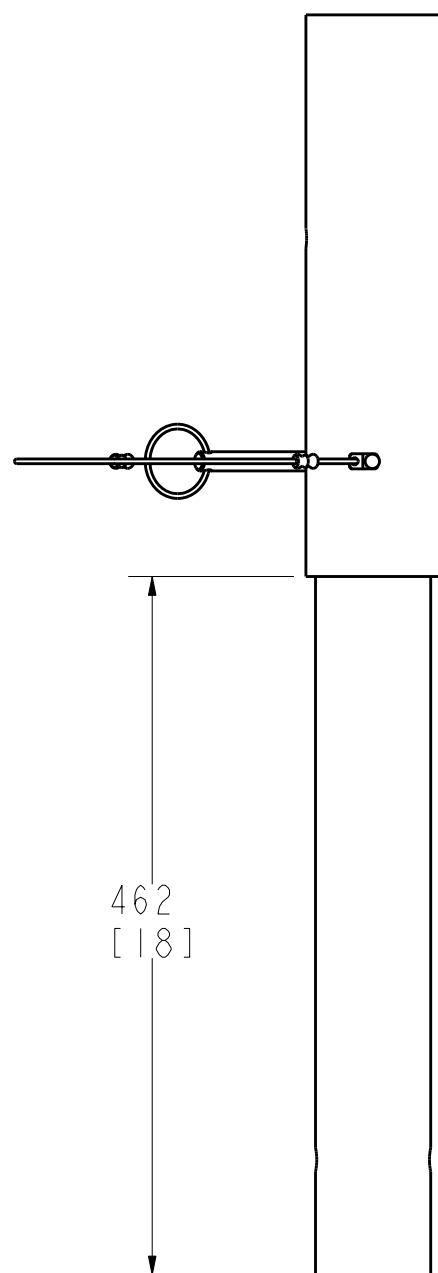
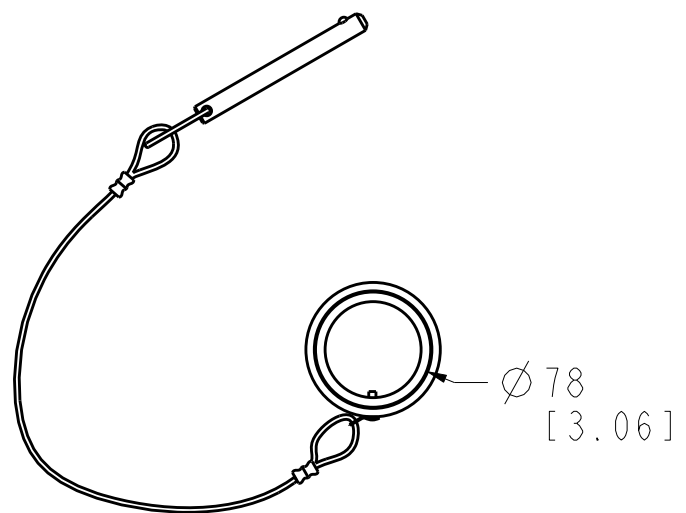


8 7 6 5 4 3 2 1

H
G
F
E
D
C
B
A

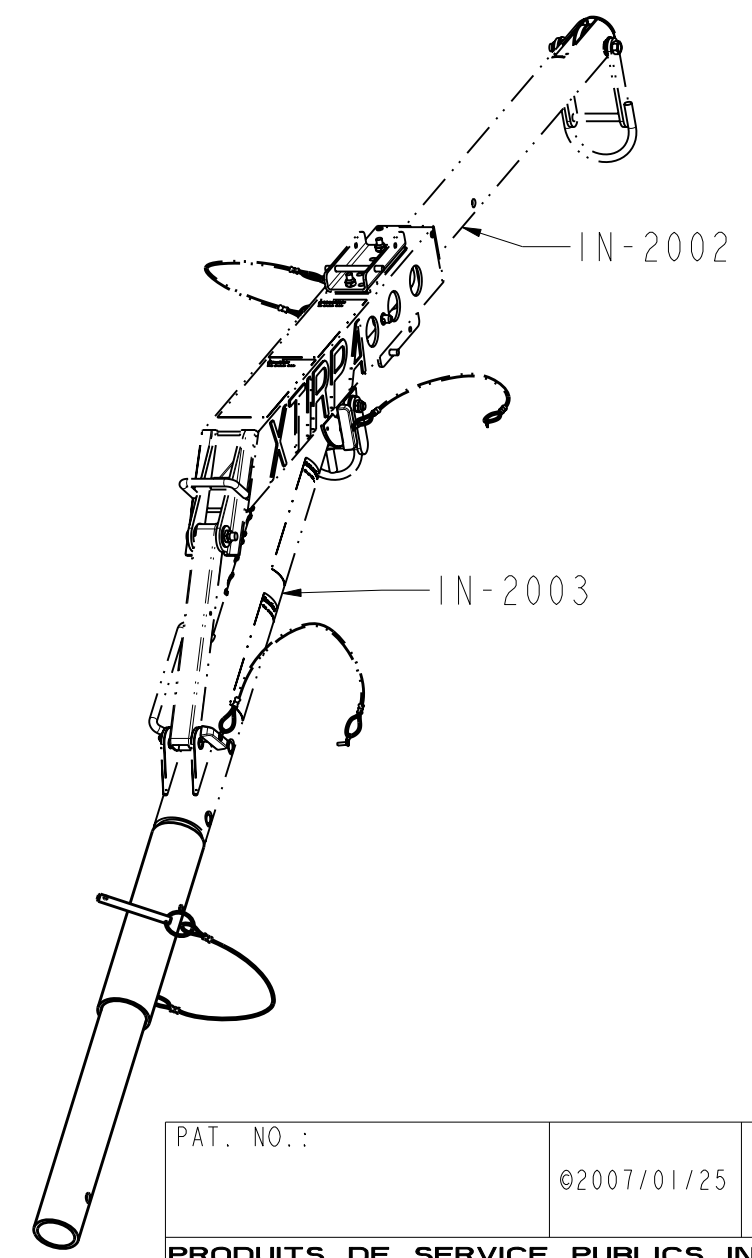
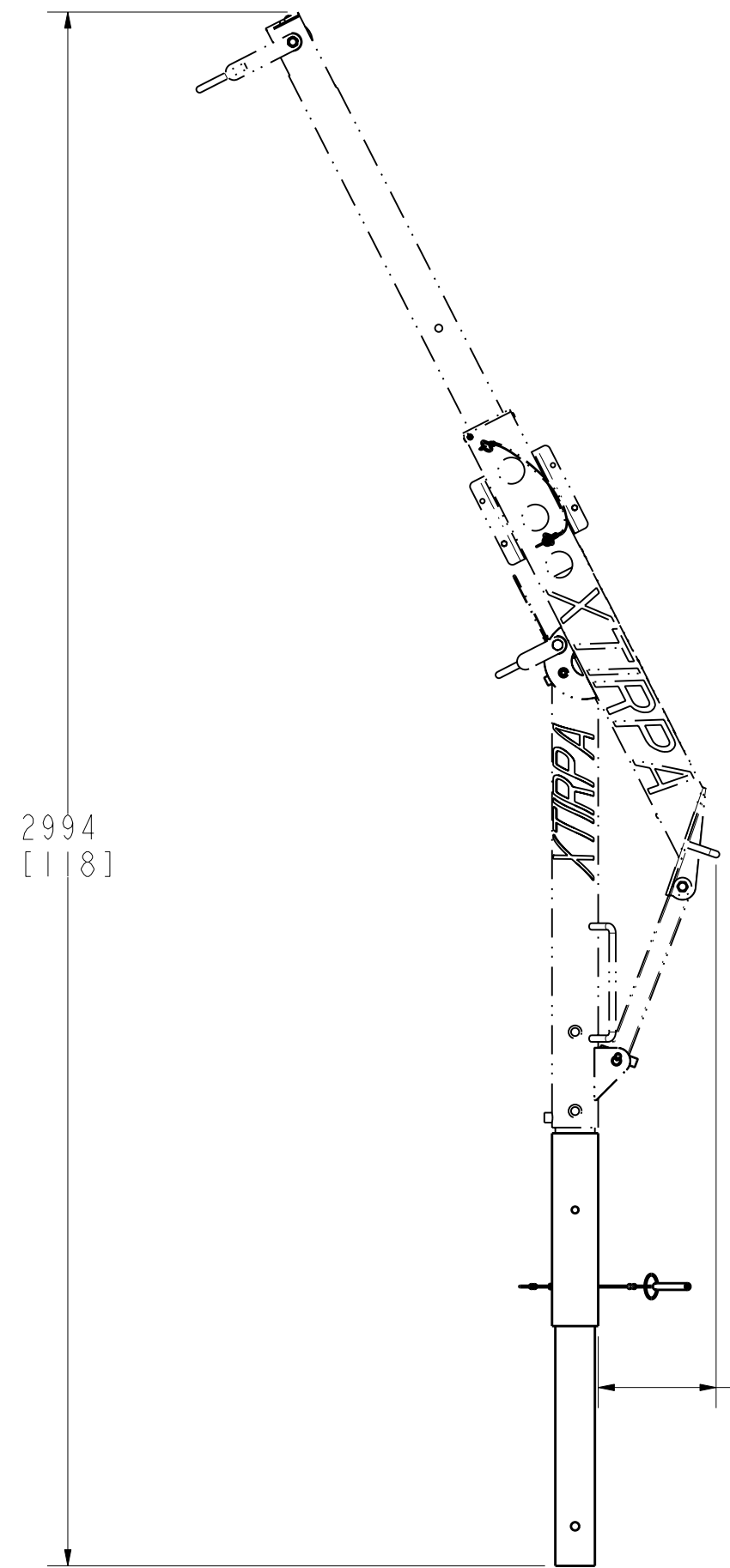


PAT. NO.:		©2007/01/25 ©	
PRODUITS DE SERVICE PUBLICS INNOVA INC. INNOVA PUBLIC UTILITY PRODUCTS INC.			
<small>© 9105-0732 QUEBEC INC. and under exclusive license to INNOVA PUBLIC UTILITY PRODUCTS INC., (hereafter « INNOVA »). All rights reserved. Protected under the Copyright Act of Canada and international treaties and agreements regarding copyrights. Violators are subject to prosecution and other legal recourses for infringement. Any reproduction, adaptation or other use or disclosure whatsoever, in totality or in part, and in any form or by any means whatsoever, strictly forbidden and requires the prior written approval of INNOVA. All data is the exclusive property of 9105-0732 QUEBEC INC. and under exclusive license to INNOVA and cannot be used nor disclosed in any way either without the prior written approval of INNOVA.</small>			
WEIGHT:	TITLE:		
26 Lbs	Overall drawing of 24" mast extension		
12 Kg			
COLOR:	MATERIAL:	SHEET(S):	PROJECT:
Yellow security	Steel	1 / 4	IN-2045

8 7 6 5 4 3 2 1

8 7 6 5 4 3 2 1

H
G
F
E
D
C
B
A



PAT. NO.:		©2007/01/25 ©	
PRODUITS DE SERVICE PUBLICS INNOVA INC. INNOVA PUBLIC UTILITY PRODUCTS INC.			
<small>© 9105-0732 QUEBEC INC. and under exclusive license to INNOVA PUBLIC UTILITY PRODUCTS INC., (hereafter « INNOVA »). All rights reserved. Protected under the Copyright Act of Canada and international treaties and agreements regarding copyrights. Violators are subject to prosecution and other legal recourses for infringement. Any reproduction, adaptation or other use or disclosure whatsoever, in totality or in part, and in any form or by any means whatsoever, strictly forbidden and requires the prior written approval of INNOVA. All data is the exclusive property of 9105-0732 QUEBEC INC. and under exclusive license to INNOVA and cannot be used nor disclosed in any way either without the prior written approval of INNOVA.</small>			
WEIGHT:	TITLE:		
26 Lbs	Overall drawing of 24" mast extension		
12 Kg			
COLOR:	MATERIAL:	SHEET(S):	PROJECT:
Yellow security	Steel	2 / 4	IN-2045

8 7 6 5 4 3 2 1

SPECIFICATIONS

H Working load (mass):
 With Davit Arm IN-2002 and mast IN-2003 : 164 kg (360 lbs)

G Max capacity without deformation:
 With Davit Arm IN-2002 and Mast IN-2003 : 16298 N (3664 lbf)
 Maximum Moment : 9935 N-m (87,936 lbf-in)

STANDARDS

F Meets the following standards:
 OSHA Personal fall arrest system - 1910.66 App C
 ANSI Safety requirements for personal fall arrest system,
 subsystems and components Z359.1
 E CAN/CSA Fall arresters, vertical lifelines, and rails Z259.2.1-98

MATERIAL AND CONSTRUCTION

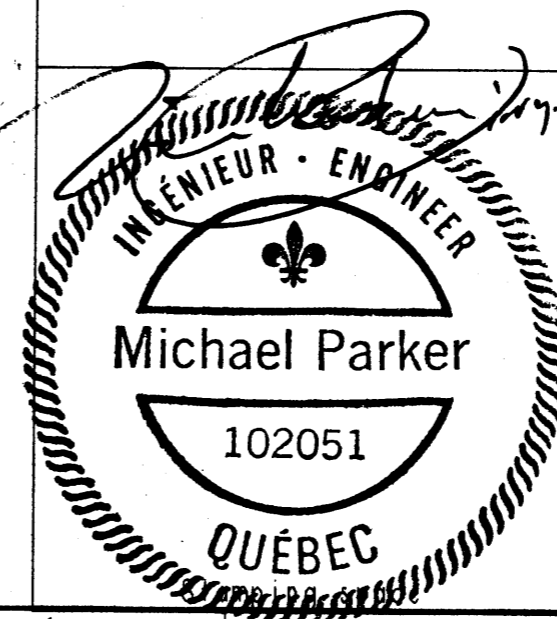
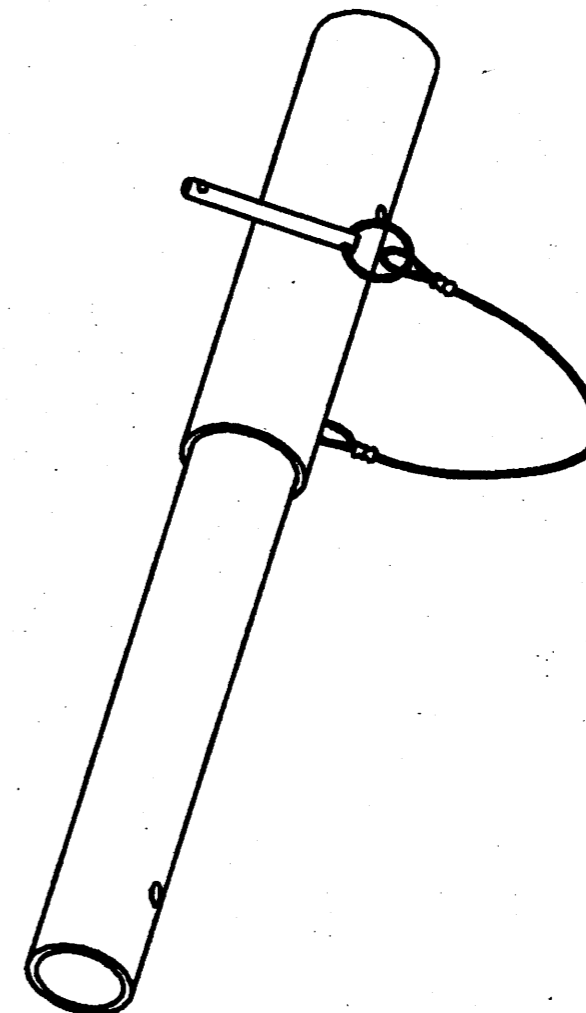
D Cylindre and sleeve : Steel DOM 1026
 Pin : Zinc plated Steel
 Lanyard : Nylon covered Steel Cable
 Welding Certification : CSA W59 & W47.1,
 AWS DI.6

RESTRICTIONS

C This product is to be used only with products approved by Innova utility
 products INC. such as:
 Mast IN-2003
 Davit arm IN-2002

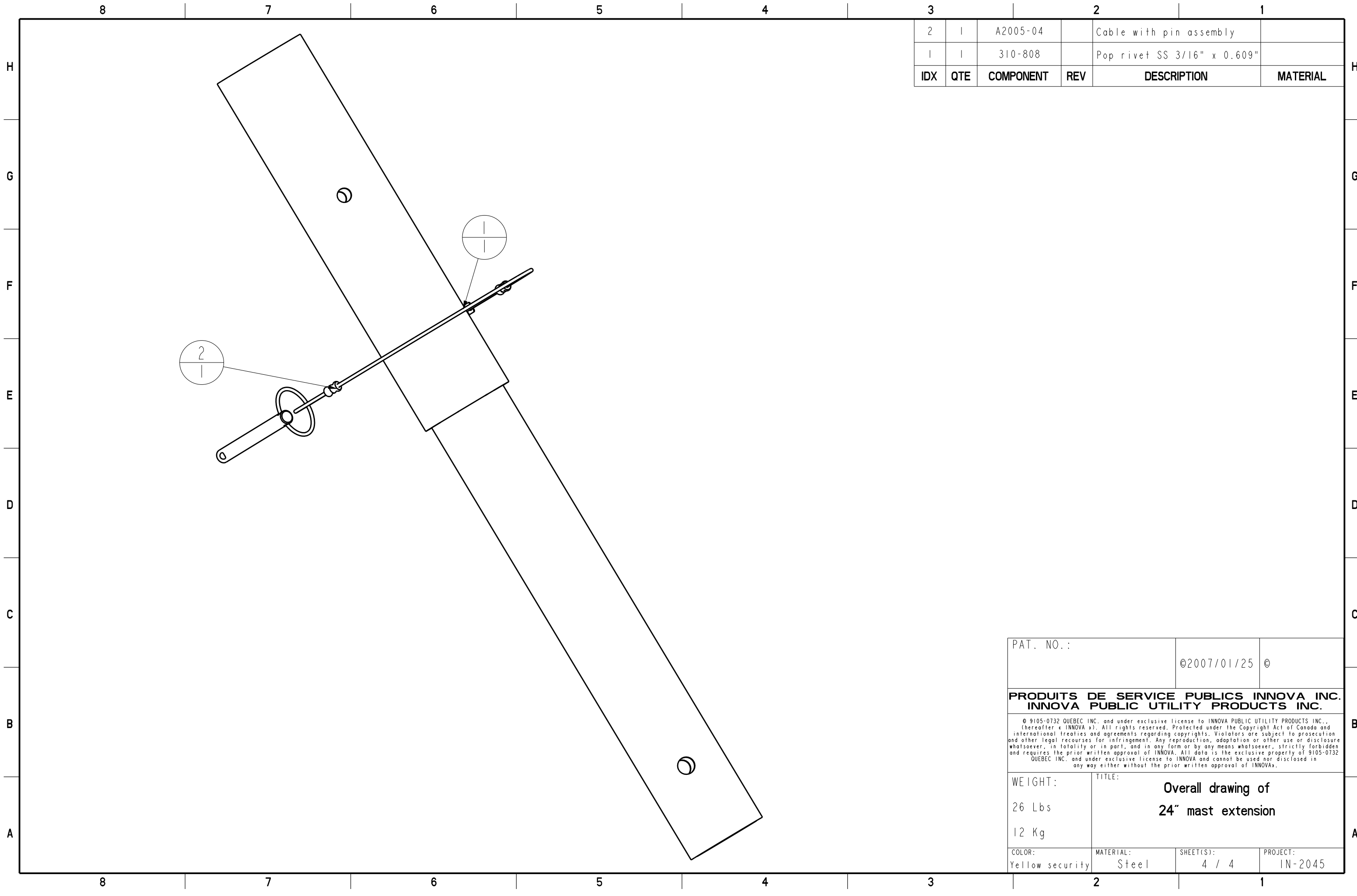
B Important:
 This product is man rated and shall be used in conjunction with
 Fall Arrest Equipment which limits the maximum arrest force (MAF).

Product number: IN-2045



29/07/2008

PAT. NO.:		©2007/01/25 ©	
PRODUITS DE SERVICE PUBLICS INNOVA INC. INNOVA PUBLIC UTILITY PRODUCTS INC.			
<small>© 9105-0732 QUEBEC INC. and under exclusive license to INNOVA PUBLIC UTILITY PRODUCTS INC. (hereinafter "INNOVA"). All rights reserved. Protected under the Copyright Act of Canada and international treaties and agreements regarding copyrights. Violators are subject to prosecution and other legal recourse for infringement. Any reproduction, adaptation or other use or disclosure without the prior written approval of INNOVA. All data is the exclusive property of 9105-0732 QUEBEC INC. and under exclusive license to INNOVA and cannot be used or disclosed in any way either without the prior written approval of INNOVA.</small>			
WEIGHT:	TITLE:		
26 Lbs	Overall drawing of		
12 Kg	24" mast extension		
COLOR:	MATERIAL:	SHEET(S):	PROJECT:
Yellow security	Steel	3 / 4	IN-2045



IDX	QTE	COMPONENT	REV	DESCRIPTION	MATERIAL
2	1	A2005-04		Cable with pin assembly	
1	1	310-808		Pop rivet SS 3/16" x 0.609"	

PAT. NO.:		©2007/01/25 ©	
PRODUITS DE SERVICE PUBLICS INNOVA INC. INNOVA PUBLIC UTILITY PRODUCTS INC.			
<small>© 9105-0732 QUEBEC INC. and under exclusive license to INNOVA PUBLIC UTILITY PRODUCTS INC., (hereafter « INNOVA »). All rights reserved. Protected under the Copyright Act of Canada and international treaties and agreements regarding copyrights. Violators are subject to prosecution and other legal recourses for infringement. Any reproduction, adaptation or other use or disclosure whatsoever, in totality or in part, and in any form or by any means whatsoever, strictly forbidden and requires the prior written approval of INNOVA. All data is the exclusive property of 9105-0732 QUEBEC INC. and under exclusive license to INNOVA and cannot be used nor disclosed in any way either without the prior written approval of INNOVA.</small>			
WEIGHT:	TITLE:		
26 Lbs	Overall drawing of 24" mast extension		
12 Kg			
COLOR:	MATERIAL:	SHEET(S):	PROJECT:
Yellow security	Steel	4 / 4	IN-2045