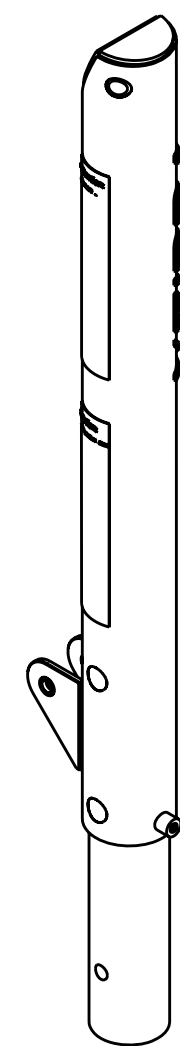
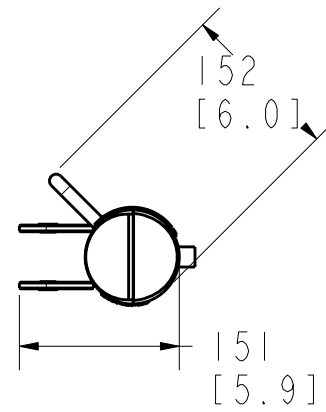
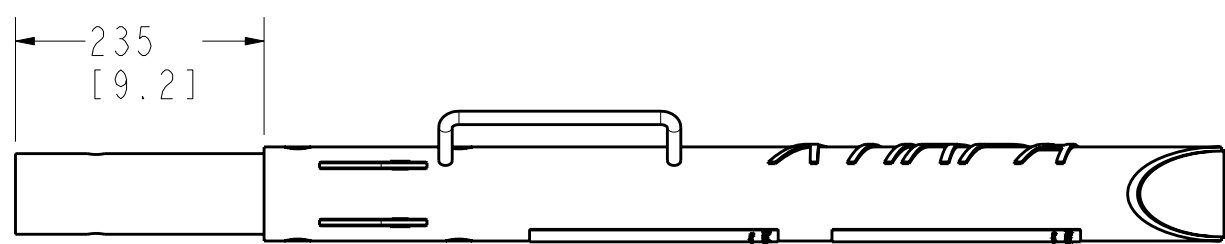
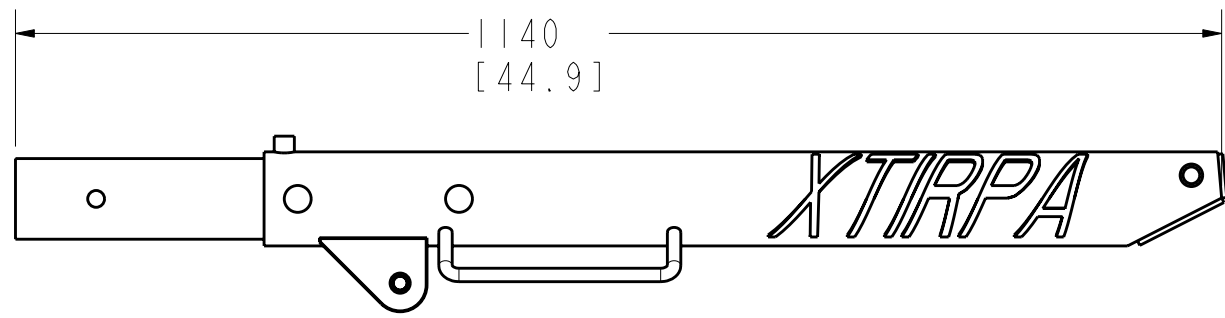


8 7 6 5 4 3 2 1

H
G
F
E
D
C
B
A

H
G
F
E
D
C
B
A



PAT. NO.:			
CA 2,479,513		©2006/02/16 ©	
US 7,213,715 B2			
EP 03 744 296.9			
PRODUITS DE SERVICE PUBLICS INNOVA INC. INNOVA PUBLIC UTILITY PRODUCTS INC.			
<small>© 9105-0732 QUEBEC INC. and under exclusive license to INNOVA PUBLIC UTILITY PRODUCTS INC., (hereafter « INNOVA »). All rights reserved. Protected under the Copyright Act of Canada and international treaties and agreements regarding copyrights. Violators are subject to prosecution and other legal recourses for infringement. Any reproduction, adaptation or other use or disclosure whatsoever, in totality or in part, and in any form or by any means whatsoever, strictly forbidden and requires the prior written approval of INNOVA. All data is the exclusive property of 9105-0732 QUEBEC INC. and under exclusive license to INNOVA and cannot be used nor disclosed in any way either without the prior written approval of INNOVA.</small>			
WEIGHT:	TITLE:		
22 Lbs	Overall drawing of mast.		
10 Kg			
COLOR:	MATERIAL:	SHEET(S):	PROJECT:
Yellow security	Aluminum	1 / 4	IN-2003

8 7 6 5 4 3 2 1

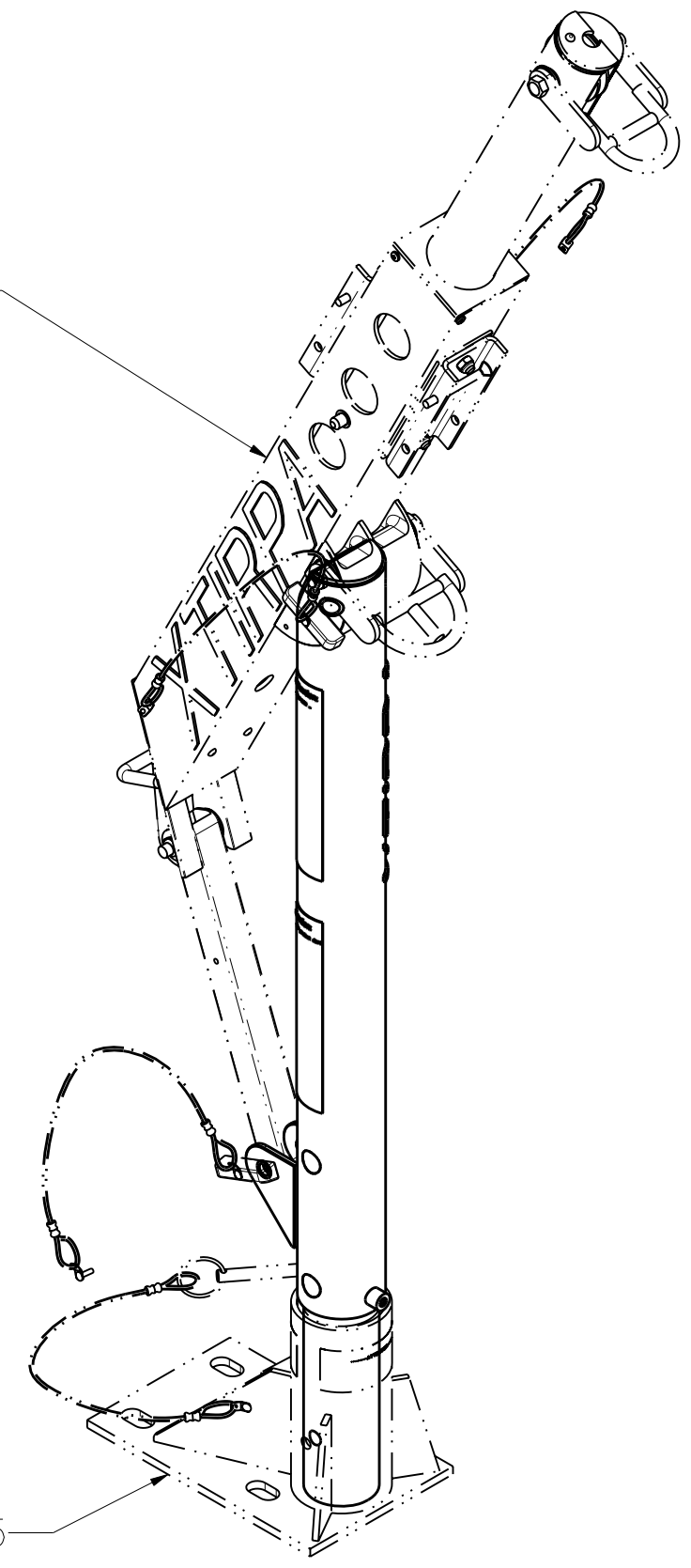
8 7 6 5 4 3 2 1

H
G
F
E
D
C
B
A

H
G
F
E
D
C
B
A

IN-2002

IN-2005



PAT. NO.:			
CA 2,479,513		©2006/02/16 ©	
US 7,213,715 B2			
EP 03 744 296.9			
PRODUITS DE SERVICE PUBLICS INNOVA INC. INNOVA PUBLIC UTILITY PRODUCTS INC.			
<small>© 9105-0732 QUEBEC INC. and under exclusive license to INNOVA PUBLIC UTILITY PRODUCTS INC., (hereafter « INNOVA »). All rights reserved. Protected under the Copyright Act of Canada and international treaties and agreements regarding copyrights. Violators are subject to prosecution and other legal recourses for infringement. Any reproduction, adaptation or other use or disclosure whatsoever, in totality or in part, and in any form or by any means whatsoever, strictly forbidden and requires the prior written approval of INNOVA. All data is the exclusive property of 9105-0732 QUEBEC INC. and under exclusive license to INNOVA and cannot be used nor disclosed in any way either without the prior written approval of INNOVA.</small>			
WEIGHT:	TITLE:		
22 Lbs	Overall drawing of mast.		
10 Kg			
COLOR:	MATERIAL:	SHEET(S):	PROJECT:
Yellow security	Aluminum	2 / 4	IN-2003

8 7 6 5 4 3 2 1

SPECIFICATIONS

H Working load (mass):
 With Davit Arm IN-2002: 164 kg (360 lbs)

G Max capacity without deformation:
 With Davit Arm IN-2002: 16298 N (3664 lbf)
 With Davit Arm IN-2002 and extended Mast IN-2044 : 16298 N (3664 lbf)
 Maximum Moment : 9935 N-m (87,936 lbf-in)

STANDARDS

F Meets the following standards:
 OSHA Personal fall arrest system - 1910.66 App C
 ANSI Safety requirements for personal fall arrest system,
 subsystems and components Z359.1
 CAN/CSA Fall arresters, vertical lifelines, and rails Z259.2.1-98

MATERIAL AND CONSTRUCTION

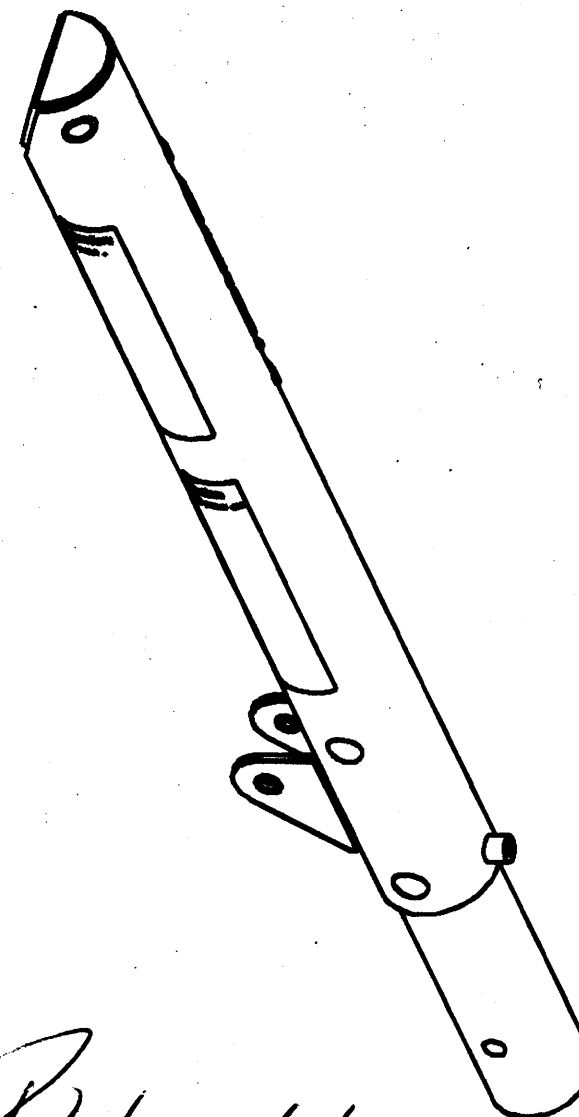
D Mast : Aluminum 6061-T6
 Anchorage plates : Aluminum 6061-T6
 Finish : Yellow security powder paint with metal protection base.
 Welding certification: CSA W47,2M

RESTRICTIONS

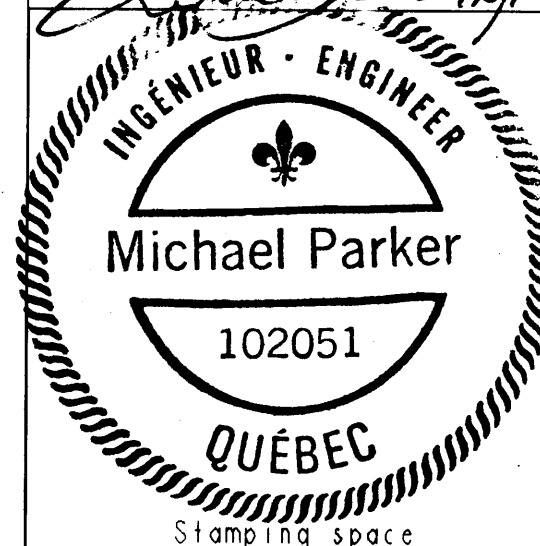
C This product is to be used only with products approved by Innova utility products INC. such as:
 Davit arm IN-2002

B Important:
 This product is man rated and shall be used in conjunction with
 Fall Arrest Equipment which limits the maximum arrest force (MAF).

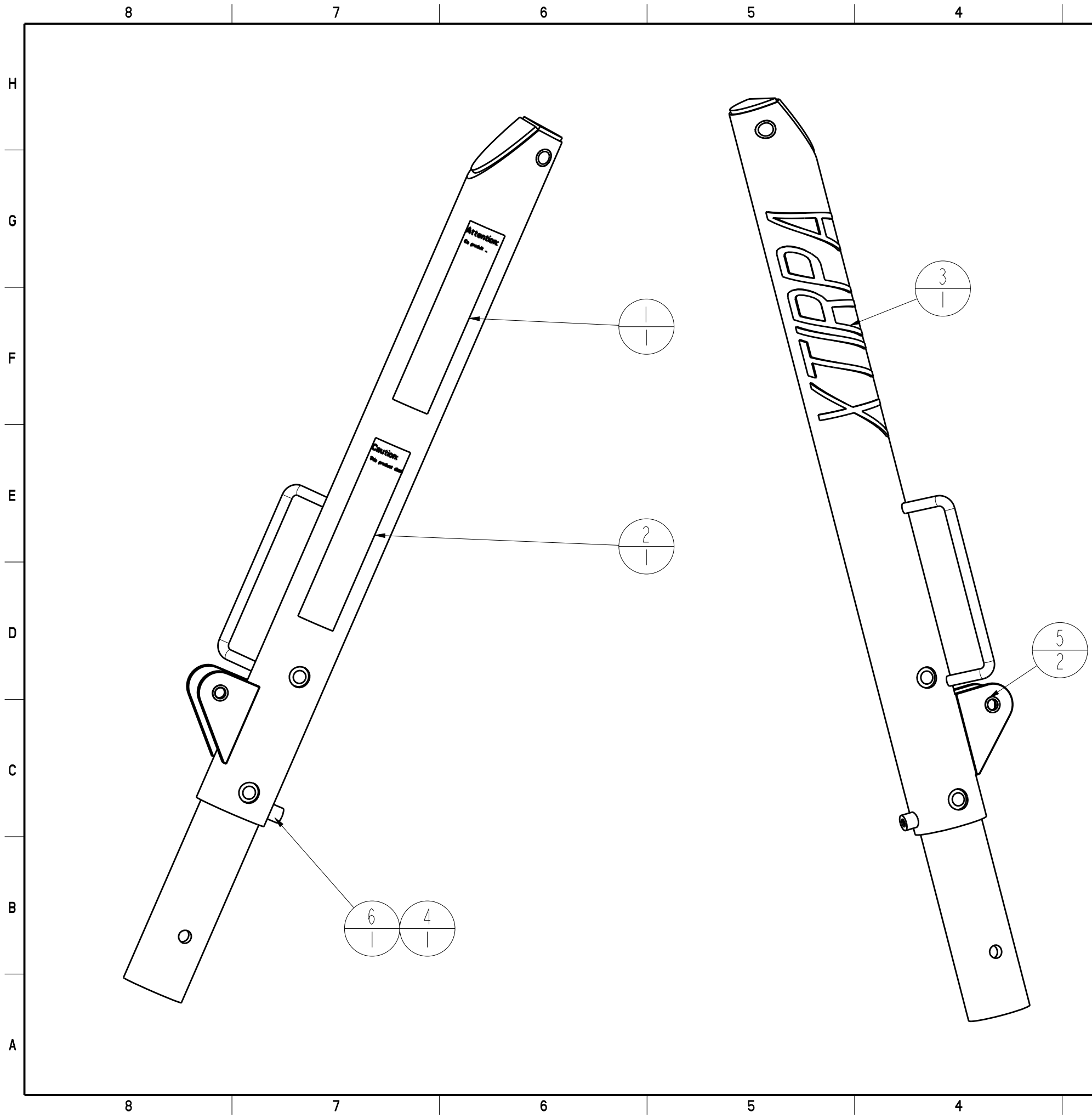
Product number: IN-2003



Michael Parker 9/07/2008



PAT. NO.:		©2006/02/16 ©	
CA 2,479,513			
US 7,213,715 B2			
EP 03 744 296.9			
PRODUITS DE SERVICE PUBLICS INNOVA INC. INNOVA PUBLIC UTILITY PRODUCTS INC.			
<small>© 9105-0732 QUEBEC INC. and under exclusive license to INNOVA PUBLIC UTILITY PRODUCTS INC., hereafter "INNOVA". All rights reserved. Protected under the Copyright Act of Canada and international treaties and agreements regarding copyright. Violators are subject to prosecution and other legal recourses for infringement. Any reproduction, adaptation or other use or disclosure whatsoever, in totality or in part, and in any form or by any means whatsoever, strictly forbidden and requires the prior written approval of INNOVA. All data is the exclusive property of 9105-0732 QUEBEC INC. and under exclusive license to INNOVA and cannot be used or disclosed in any way either without the prior written approval of INNOVA.</small>			
WEIGHT:	TITLE:		
22 Lbs	Overall drawing of mast.		
10 Kg			
COLOR:	MATERIAL:	SHEET(S):	PROJECT:
Yellow security	Aluminum	3 / 4	IN-2003



IDX	QTE	COMPOSANTE	REV	DESCRIPTION	MATERIAU
6	1	HX-2025		HEX SOCKET CAP SCREW 1/4" - 20 UNC X 1" LGTH 18-8 SS	
5	2	P2003-014	01	Stainless insert	Inox 304
4	1	P2003-012		Dog watch for mast	delrin noir
3	1	S2002-003		Sticker XTIRPA 3-1/2" x 11-3/4"	
2	1	S2003-002		Sticker "WARNING" Mast (English)	
1	1	S2003-001		Sticker "MISE EN GARDE" Mast (french)	

PAT. NO.:			
CA 2,479,513		©2006/02/16 ©	
US 7,213,715 B2			
EP 03 744 296.9			
PRODUITS DE SERVICE PUBLICS INNOVA INC. INNOVA PUBLIC UTILITY PRODUCTS INC.			
<small>© 9105-0732 QUEBEC INC. and under exclusive license to INNOVA PUBLIC UTILITY PRODUCTS INC., (hereafter « INNOVA »). All rights reserved. Protected under the Copyright Act of Canada and international treaties and agreements regarding copyrights. Violators are subject to prosecution and other legal recourses for infringement. Any reproduction, adaptation or other use or disclosure whatsoever, in totality or in part, and in any form or by any means whatsoever, strictly forbidden and requires the prior written approval of INNOVA. All data is the exclusive property of 9105-0732 QUEBEC INC. and under exclusive license to INNOVA and cannot be used nor disclosed in any way either without the prior written approval of INNOVA.</small>			
WEIGHT:	TITLE:		
22 Lbs	Overall drawing of mast.		
10 Kg			
COLOR:	MATERIAL:	SHEET(S):	PROJECT:
Yellow security	Aluminum	4 / 4	IN-2003